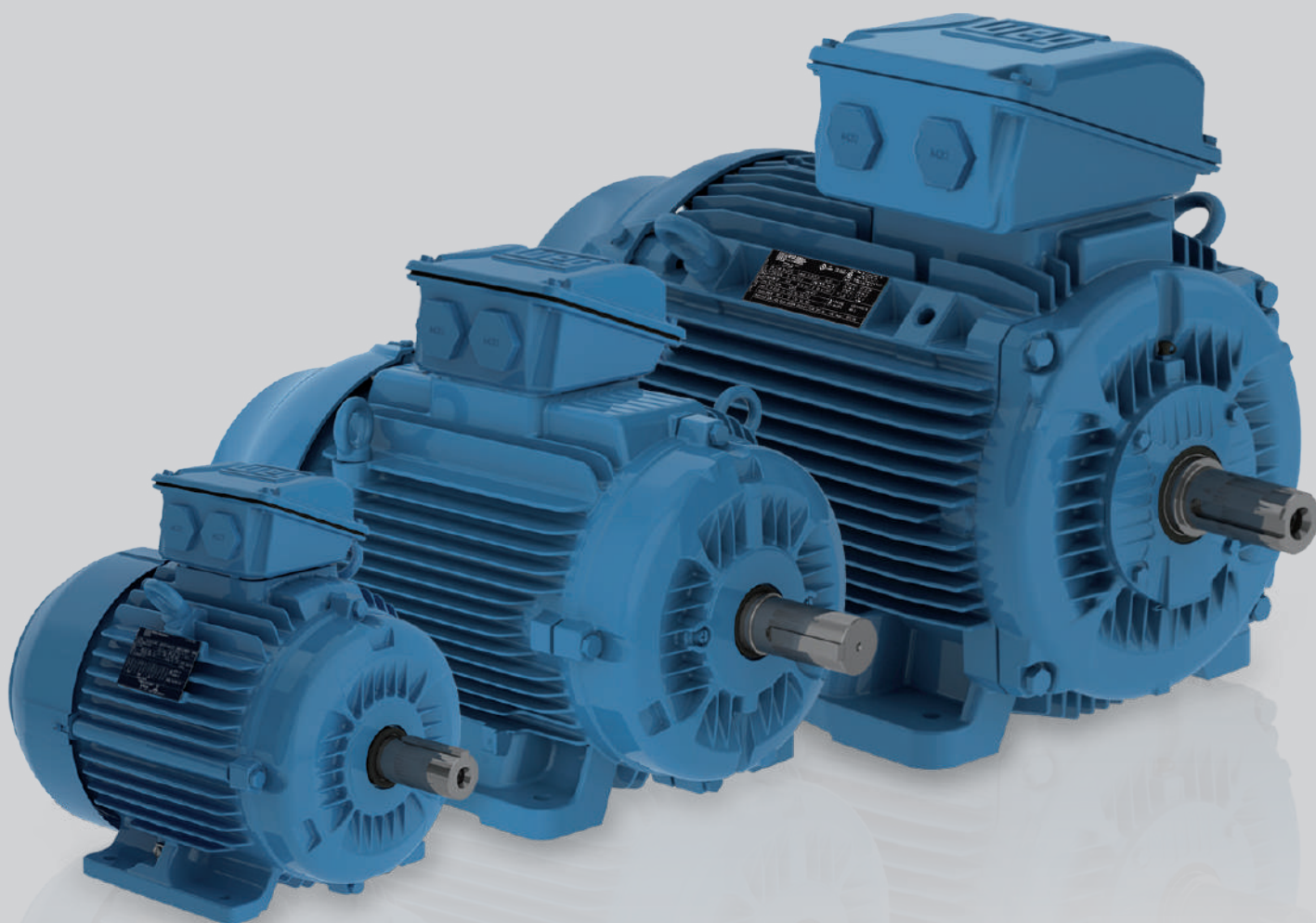


# W22Xec

Increased Safety Motors / Dust Ignition Proof

Technical Catalogue  
European Market



Motors | Automation | Energy | Transmission & Distribution | Coatings

# 1. Standards and Classification of Explosive Atmospheres

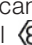

## 1.1 ATEX Directives

The ATEX Directives were adopted by the European Union (EU) to simplify free trade between member states whilst aligning the technical and legal requirements for products utilised in potentially explosive atmospheres.

The ATEX Product Directive 2014/34/EU (“ATEX 114”), effective from 20th April 2016 (and replacing the former 94/9/EC or “ATEX 95”), places responsibilities on the equipment manufacturer, whereas the Worker Protection Directive 1999/92/EC - “ATEX 153” (formerly “ATEX 137”) places obligations on the end user.

Manufacturers’ products must comply with the Essential Health and Safety Requirements for equipment intended for use in potentially explosive atmospheres, and follow a Conformity Assessment Procedure.

This Procedure requires the manufacturer to obtain from a Notified Body (“Ex NB”) an EC Type Examination Certificate for the relevant product(s), a Production Quality Assurance Notification (assessed and periodically audited by an ExNB) and the internal production control by the manufacturer to guarantee the products are in compliance with the ATEX Directive.

ATEX compliant products can be easily recognised by the explosion protection symbol  and the  mark certifying conformity with the Product Directive.

Directive 1999/99/EC (“ATEX 137”) lays down the minimum requirements for improving the safety and health protection of workers at risk from explosive atmospheres, and also classifies the environment into zones and outlines which category of equipment can be used in each zone.

Further, the Directive highlights the responsibilities of End Users to assess potential risks of their workplaces and equipment, prepare an Explosion Protection Document and provide suitable warning signage for areas where explosive atmospheres may occur.



Figure 1 - ATEX Directives Logo

## 1.2 IECEx System

According to its website, [www.iecex.com](http://www.iecex.com), the objective of the IECEx System is defined as the means “to facilitate international trade in equipment and services utilized in potentially explosive atmospheres, whilst maintaining the required level of safety”.

The IECEx System is based on the use of International Electrotechnical Commission (IEC) standards, and is a certification system which verifies compliance to those standards associated with the safe use of equipment in installations where a potential risk of fire or explosion may exist.

An IECEx Quality Assessment Report (“QAR”) is provided once the results of an on-site assessment of the manufacturer’s quality management system has been conducted by the ExCB, and found to be in compliance with the requirements of the IECEx Certified Equipment Scheme and, most importantly, the document IECEx OD 005.

Thereafter, the ExCB will review and endorse the ExTR and QAR and then issue the IECEx Certificate of Conformity (“CoC”). IECEx certificates are issued electronically and are all available for viewing or printing on the IECEx public access website.



Figure 2 - IECEx System Logo

## 2. Hazardous Areas

According to the IEC 60079-10-1 and IEC 60079-10-2 standards, the definition of an Explosive Atmosphere is a “mixture with air, under atmospheric conditions, of flammable substances in the form of gas, vapors, dust, fibers, or flyings which, after ignition, permits self-sustaining propagation”.

A Hazardous Area is “an area in which an explosive atmosphere is or may be expected to be present, in quantities such as to require special precautions for the construction, installation and use of equipment”.

Explosions may occur either due to the transfer of flames or through overheating. For this reason, motors with flameproof protection are constructed in such a way as to prevent propagation of an internal explosion in to the hazardous area in which they are installed.

Hazardous areas are classified through Zones, Groups and Temperature Classes.

The classifications according to the International Electrotechnical Commission (IEC) are shown in the Sections 2.1, 2.2, 2.3 and 2.4.

### 2.1 Classification per Zones

Based upon the frequency of the occurrence and duration of an explosive atmosphere and based on the type of flammable material (gases/vapors or dusts):

- **IEC Zone 0 (gases/vapours) or 20 (dusts)**  
An explosive atmosphere with continuous grade of release.
- **IEC Zone 1 (gases/vapours) or 21 (dusts)**  
An explosive atmosphere with primary grade of release.
- **IEC Zone 2 (gases/vapours) or 22 (dusts)**  
An explosive atmosphere with secondary grade of release.

**Zone 2/22:** area in which an explosive atmosphere is not likely to occur in normal operation but, if it does occur, will persist for a short period only.

**Zone 1/21:** area in which an explosive atmosphere is likely to occur in normal operation occasionally.

**Zone 0/20:** area in which an explosive atmosphere is present continuously or for long periods or frequently.

(not applicable for motors and generators)



W22Xec is able to be installed in Zone 2 and 22.

### 2.2 Classification per Groups

Subdivision according to the type of flammable material present.

**IEC Group I:** gases present in underground coal mines (example: methane)

**IEC Group II:** gases present in other explosive atmospheres. Group II subdivisions:

- **IEC Group IIA:** example: Propane
- **IEC Group IIB:** example: Ethylene
- **IEC Group IIC:** example: Hydrogen

**IEC Group III:** dusts  
Group III subdivisions:

- **IEC Group IIIA:** solid particles, larger than 500 µm suspended - combustible dusts.
- **IEC Group IIIB:** non-conductive dust, equal or smaller than 500 µm, with electrical resistivity greater than to 10<sup>3</sup> Ω.m - grime.
- **IEC Group IIIC:** conductive dust, equal or smaller than 500 µm, with electrical resistivity less than or equal to 10<sup>3</sup> Ω.m - metallic dust.

### 2.3 Classification per Temperature Classes

According to the temperature limitation, related to the ignition temperature of the flammable material present. The IEC 60079-0 defines the limits for electrical equipment surface temperature for Groups I, II and III.

Conditions	Maximum surface temperature (°C) <sup>1)</sup>
Where coal dust is not likely to form a layer	450
Where coal dust can form a layer	150

Note: 1) On any surface of the enclosure.

Table 1 - Group I - Underground Coal Mines (Methane and Coal Dust)

Temperature class	Maximum surface temperature (°C)
IEC	
T1	450
T2	300
T3	200
T4	135
T5	100
T6	85

Table 2 - Group II - Gases & Vapours

Conditions	Maximum surface temperature (°C) <sup>1)</sup>
With dust layers	Maximum surface temperature of the apparatus must be determined for a given depth of dust layer
Without dust layers	Maximum surface temperature of the apparatus shall not exceed the assigned value. For W22Xec motors the standard assigned temperature is T3.

Note: 1) On any surface of the enclosure.

Table 3 - Group III - Conductive Dusts

### 2.4 Equipment Protection Levels - EPL

In addition to the traditional hazardous area classification of the IEC 60079-10-1 and IEC 60079-10-2, which considers the possibility of an explosion occurring, the 2011 version of IEC 60079-0 introduced a new risk assessment approach known as the “Equipment Protection Level” that considers, besides the hazardous location itself, the consequences of a possible explosion. The primary intent of the EPL is to allow flexibility in the use of equipment in the various zones. For example it may be appropriate to use Gc equipment in a Zone 1 area where the amount of flammable gas / vapour is small and the location is unmanned virtually all of the time. Conversely Gb equipment may be selected in Zone 2 to allow this equipment to be used in the event of a persistent emergency condition. IEC 60079-14 explains in detail how to use EPL’s in a risk assessment. The EPL designations are defined as follows:

#### First Indices

- M** - Mines
- G** - Gas
- D** - Dust

#### Second Indices

- a** - Equipment having a very high level of protection
- b** - Equipment having a high level of protection
- c** - Equipment having an enhanced level of protection

Relationship between Groups, Zones and EPL's are detailed in the Table 4, and the relationship between Hazardous Area and Operating Conditions are detailed in the Table 5.

Group	Zone	EPL
Group I	-	Ma
		Mb
Group II	0	Ga
	1	Gb
	2	Gc
Group III	20	Da
	21	Db
	22	Dc

Table 4 - Relationship between Groups, Zones and EPL's

IEC		Operating Conditions		
Hazardous Areas	Gas	Zone	0	Explosive atmosphere is continuously or frequently present
			1	Explosive atmosphere is likely to occur in normal operation condition
			2	Explosive atmosphere is not likely to occur in normal operation condition
		Group	I	Methane
			IIA	Propane
			IIB	Ethylene
		IIC	Hydrogen	
	Dust	Zone	20	Explosive atmosphere is continuously or frequently present
			21	Explosive atmosphere is likely to occur in normal operation condition
			22	Explosive atmosphere is not likely to occur in normal operation condition
		Group	IIIA	Solid particles, larger than 500 µm suspended-combustible fibers
			IIIB	Non-conductive dust, equal or smaller than 500 µm, with electrical resistivity greater than to 10 <sup>3</sup> Ω.m - grime.
IIIC			Conductive dust, equal or smaller than 500 µm, with electrical resistivity less than or equal to 10 <sup>3</sup> Ω.m - metallic dust.	

Table 5 - Relationship between Hazardous Area and Operating Conditions

### Protection

W22Xec motors are certified "Ex ec" Increased Safety and "Ex ec / Ex tc" Dust Ignition Proof, for installation in hazardous areas classified as Zone 2 (Gas Groups IIA, IIB, IIC) and Zone 22 (Dust Groups IIIA and IIIB).

## 3. W22Xec Motors

Increased safety "Ex ec" motors are designed to prevent the occurrence during normal operating and certain specific abnormal conditions of arcs, sparks & excessive overheating of all inner and outer surfaces of the machine which could reach the self ignition temperature of the surrounding potentially explosive atmosphere.

In the case of "Ex tc" machines, the maximum surface temperature of the enclosure is defined either:

- through measurement, under normal operating conditions, of the external surfaces of the machine with no dust layer, or
- determined for a given depth layer, "TL", of dust surrounding all sides of the equipment (a maximum depth may be specified by the manufacturer).



Figure 3 - W22Xec motor

### 3.1 W22Xec Motor Features

#### 3.1.1 Standard

- Rated Output: 0,12 to 450 kW
- Number of Poles: 2 to 8
- Frame Sizes: IEC 63 to 355A/B
- Voltage: up to 690 V
- Frequency: 50 / 60 Hz
- Efficiency Level: IE3 Premium Efficiency
- Hazardous Area: Zone 2 – Gas Groups IIA, IIB, IIC  
Zone 22 – Dust Groups IIIA, IIIB
- Ambient Temperature Range: -20 °C to +40 °C
- Degree of Protection: IP55
- Winding Thermal Protection: PTC 140 °C (Dust) & PTC 155 °C (Gas)
- Painting plan: 205P (C4 according to ISO 12944)
- Insulation class: F (ΔT 80K)

#### 3.1.2 Optional

- Efficiency Level: IE1, IE2 and IE4
- Single use marking Ex ec - Gas (W22Xec) or Ex tc - Dust (W22Xtc)
- Degree of Protection up to IP66
- Ambient Temperature Range: -55 °C to +60 °C
- Pt-100, thermostats, anti-condensation heaters
- Painting plans C5M / C5I acc. ISO 12944, NORSOK M-501 etc.
- VIK Compliant Execution
- Suitable for frequency inverter application
- Brass cable gland

### 3.2 VFD Application

W22Xec motors are also certified for operation with Variable Frequency Drives.

- Thermal protection embedded in motor windings
- Separate rating plate indicating permissible operating parameters under variable speed conditions.
- Must respect WEG derating curves / conditions defined in ATEX & IECEx certificates



Figure 4 - W22Xec with CFW-11



## 4. Shaft / Bearings Data

### 4.1 Shaft

The shaft steel material for W22Xec standard motors is AISI 1040/45, in frames IEC 63 to 315S/M, and AISI 4140 for frames 315L and 355M/L. When supplied with roller bearings, the shaft material must be AISI 4140. Information regarding the maximum allowable radial and axial loads on shaft ends is given in Table 9, Table 10, Table 11, Table 12 and Table 13.

Important: when equipped with a roller bearing, it is necessary to lock the non-drive end bearing which obliges replacement of the non-drive end bearing cap.

Shafts of W22Xeb motors are supplied with an open profile keyway, with a threaded centre hole, and can optionally be provided with a second shaft end.

*Note: 2 pole motors will have, as an option, only the shaft end in stainless steel AISI 316.*

### 4.2 Bearings

W22Xec motors are supplied with deep groove ball bearings as standard (Figure 8). Optionally, for frame sizes 132 and above, NU series roller bearings can be fitted to motors intended for heavy duty applications where high radial loads may occur e.g. pulley and belt drives.



Figure 8 - Ball bearing view

The nominal bearing life L10h is 20.000 or 40.000 hours in conformance with maximum radial and axial loads as described in tables 9, 10 and 11. When direct coupled to the load (without axial or radial thrusts), the L10h bearing life can be extended to 50.000\* hours.

\* For regreasable motors. Other configurations contact WEG.

In standard configuration, with ball bearings, the drive end bearing is locked axially from frame 160. To compensate for any axial movement the motors are fitted with pre-load washers for frames 63 to 200 and with pre-load springs for frames 225 to 355. When provided with roller bearings, the non-drive end bearing is locked and the axial movement is compensated by the axial play of the front roller bearing. The lifetime of the bearing is dependent on its type and size, the radial and axial mechanical loads it is submitted to, operating conditions (environment, temperature, mounting orientation), rotational speed and grease life. Therefore, bearing lifetime is closely related to its correct use, maintenance and lubrication.

Respecting the quantity of grease and lubrication intervals allows bearings to reach the indicated lifetime. W22Xeb motors in IEC frames 225S/M and above are provided as standard with grease fittings in each endshield to permit the relubrication of the bearings (optional for frames 90 to 200). The quantity of grease and lubrication intervals are stamped on the motor nameplate. The lubrication intervals are shown in Table 7 and Table 8. It must be emphasized that excessive lubrication, i.e. a quantity of grease greater than that recommended on the motor nameplate, can result in the increase of bearing temperatures leading to reduced operating hours.

#### Note:

1. L10h lifetime means that at least 90% of the bearings submitted to the maximum indicated loads will reach the number of hours indicated. The maximum admissible radial and axial loads for the standard configuration are shown in Table 9, Table 10, Table 11, Table 12 and Table 13. The values of the maximum radial load consider axial load as nil. The values of the maximum axial load consider radial load as nil. For bearing lifetimes with combined axial and radial loads condition contact WEG.
2. The radial force value Fr usually results from information recommended in the catalogues of pulley / belt manufacturers.

When this information is not available, the force Fr, under operation, can be calculated based on the output power, on coupling design characteristics with pulleys and belts and on the type of application. So we have:

$$Fr = \frac{19,1 \times 10^6 \times P_n}{n_n \times dp} \times ka \text{ (N)}$$

Where:

Fr is the radial force caused by pulley and belt coupling [N];

Pn is the motor rated power [kW];

nn is the motor rated speed per minute [rpm];

dp is the pitch diameter of the drive pulley [mm];

ka is a factor that depends on belt tension and type of application (Table 6).

	Groups and basic types of application	ka factor of the application	
		V belts	Plane belts
1	Fans and blowers, centrifugal pumps, winding machines, compressors, machine tools with outputs up to 22 kW (30 HP)	2,0	3,1
2	Fans and blowers, centrifugal pumps, winding machines, compressors, machine tools with outputs higher than 22 kW (30 HP)	2,4	3,3
3	Presses, vibrating screens, piston and screw compressors, pulverisers, helicoidal conveyors, woodworking machines, textile machines, kneading machines, ceramic machines, pulp and paper industrial grinders (for all power range).	2,7	3,4
4	Overhead cranes, hammer mills, metal laminators, conveyors, gyratory crushers, jaw crushers, cone crushers, cage mills, ball mills, rubber mixers, mining machines, shredders (for all power range).	3,0	3,7

Table 6 - ka factor

**Important:**

**1 - Special applications**

Motor operation under adverse operating conditions, such as higher ambient temperatures and altitudes or abnormal axial / radial loads, may require specific lubrication measures and alternative relubrication intervals to those indicated in the tables provided within this technical catalogue.

**2 - Roller bearings**

Roller bearings require a minimum radial load so as to ensure correct operation. They are not recommended for direct coupling arrangements, or for use on 2 pole motors.

**3 - Frequency inverter driven motors**

Bearing life may be reduced when a motor is driven by a frequency drive at speeds above nominal. Speed itself is one of the factors taken into consideration when determining motor bearing life.

**4 - Motors with modified mounting configurations**

For motors supplied with horizontal mounting but working vertically, lubrication intervals must be reduced by half.

**5 - Figures for radial thrusts**

The figures given in the tables below for radial thrusts take into consideration the point upon which the load is applied, either at the centre of the shaft ( $L/2$ ) or at the end of the shaft ( $L$ ), Figure 9.

*Note: On motors with second shaft end, refer to WEG for details of the maximum permissible axial and radial loads.*

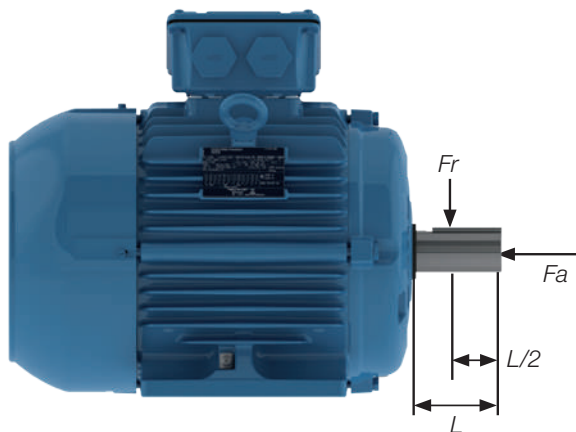


Figure 9 - Radial and axial thrust on motor shaft

**4.3 Lubrication Intervals (Ambient  $\leq 40^\circ\text{C}$  at Rated Speed)**

Frame	Poles	Lubrication intervals (hours)	
		50 Hz	60 Hz
160	2	25000	25000
	4		
	6		
	8		
180	2	25000	25000
	4		
	6		
	8		
200	2	25000	25000
	4		
	6		
	8		
225	2	5000	4000
	4	14000	12000
	6	20000	17000
	8	24000	20000
250	2	5000	4000
	4	14000	12000
	6	20000	17000
	8	24000	20000
280	2	5000	4000
	4	13000	10000
	6	18000	16000
	8	20000	20000
315	2	5000	4000
	4	11000	8000
	6	16000	13000
	8	20000	17000
355	2	5000	4000
	4	4000	On request
	6	9000	6000
	8	13000	11000
		19000	14000

*Note: the amount of grease is indicated on the nameplate.*

Table 7 - Lubrication intervals for ball bearings (horizontal mounting).

Frame	Poles	Lubrication intervals (hours)	
		50 Hz	60 Hz
160	4	25000	25000
	6		
	8		
180	4	25000	25000
	6		
	8		
200	4	25000	21000
	6		25000
	8		
225	4	11000	9000
	6	16000	13000
	8	20000	19000
250	4	11000	9000
	6	16000	13000
	8	20000	19000
280	4	9000	7000
	6	14000	12000
	8	19000	17000
315	4	7000	5000
	6	12000	9000
	8	17000	15000
355	4	5000	4000
	6	9000	7000
	8	14000	13000

*Note: the amount of grease is indicated on the nameplate.*

Table 8 - Lubrication intervals for roller bearings (horizontal mounting).



### 4.4 Permissible Loads

Maximum permissible radial thrust - 50 Hz - Fr in (kN) 20.000 hours								
Frame	2 poles		4 poles		6 poles		8 poles	
	L	L/2	L	L/2	L	L/2	L	L/2
63	0,3	0,4	0,3	0,4	0,3	0,4	0,3	0,4
71	0,5	0,5	0,5	0,6	0,5	0,6	0,6	0,7
80	0,6	0,6	0,7	0,7	0,7	0,8	0,8	1,0
90	0,6	0,7	0,7	0,8	0,8	0,9	0,9	1,0
100	0,9	1,0	1,0	1,1	1,2	1,3	1,3	1,4
112	1,2	1,3	1,4	1,5	1,6	1,8	1,7	1,9
132	1,8	2,0	2,2	2,4	2,4	2,7	2,6	2,9
160	2,3	2,6	2,6	2,9	2,7	3,3	2,7	3,7
180	3,1	3,5	3,6	4,0	4,2	4,7	4,2	5,2
200	3,7	4,0	4,2	4,7	4,9	5,4	5,7	6,2
225	5,1	5,5	5,2	6,3	5,3	7,0	5,7	8,1
250	4,9	5,3	5,2	5,7	6,5	7,1	6,0	8,2
280	5,0	5,4	6,7	7,2	7,8	8,4	8,7	9,4
315S/M	4,3	4,7	7,0	7,7	8,1	8,8	9,0	9,8
315L	4,6	5,0	4,0	7,3	6,2	8,2	9,1	9,8
355M/L	4,8	5,1	8,5	9,3	9,6	10,4	11,6	12,6

Table 9 - Maximum permissible radial thrusts for ball bearings (horizontal mounting)

Maximum permissible radial thrust - 50 Hz - Fr in (kN) 40.000 hours								
Frame	2 poles		4 poles		6 poles		8 poles	
	L	L/2	L	L/2	L	L/2	L	L/2
63	0,2	0,2	0,3	0,3	0,3	0,4	0,3	0,4
71	0,3	0,3	0,4	0,4	0,5	0,5	0,5	0,6
80	0,5	0,5	0,5	0,6	0,6	0,6	0,7	0,7
90	0,5	0,5	0,5	0,6	0,6	0,7	0,7	0,8
100	0,7	0,7	0,7	0,8	0,9	1,0	1,0	1,1
112	0,9	1,0	1,0	1,1	1,2	1,4	1,3	1,4
132	1,4	1,6	1,6	1,8	1,8	2,0	2,0	2,2
160	1,8	2,0	1,9	2,1	2,2	2,4	2,5	2,7
180	2,4	2,7	2,7	3,0	3,2	3,5	3,6	3,9
200	2,8	3,0	3,2	3,5	3,7	4,0	4,3	4,7
225	3,9	4,3	4,3	4,7	4,7	5,2	5,6	6,2
250	3,7	4,1	3,8	4,2	4,9	5,4	5,7	6,3
280	3,8	4,1	4,9	5,4	5,8	6,3	6,5	7,0
315S/M	3,1	3,4	4,9	5,4	5,7	6,2	6,3	6,9
315L	3,4	3,6	4,0	4,9	5,1	5,5	6,4	6,9
355M/L	3,3	3,6	5,8	6,3	6,5	7,1	8,2	8,9
355A/B	3,0	3,2	4,1	4,4	4,2	4,5	5,3	6,8

Table 10 - Maximum permissible radial thrusts for ball bearings (horizontal mounting).

Maximum permissible radial thrust - 50 Hz - Fr in (kN) 40.000 hours						
Frame	4 poles		6 poles		8 poles	
	L/2	L	L/2	L	L/2	L
160	5,0	3,2	5,1	3,3	5,1	3,3
180	8,8	5,5	8,8	5,6	8,8	5,6
200	11,2	7,3	11,2	7,4	11,3	7,4
225S/M	12,9	7,6	12,9	7,6	13,0	7,8
250S/M	13,7	8,9	13,8	8,9	13,7	8,9
280S/M	19,3	12,6	19,4	12,8	19,6	12,9
315S/M	25,8	12,9	27,4	13,0	27,4	13,2
315L	21,5	10,1	20,1	9,4	26,1	12,2
355M/L	34,0	17,3	33,5	16,4	33,5	16,1

Note: the values given for roller bearings consider AISI 4140 steel shafts.

Table 11 - Maximum permissible radial thrusts for roller bearings (horizontal mounting)

Maximum permissible axial thrust - 50 Hz - Fa in (kN) - 20.000 hours							
Frame	Poles	Horizontal		Vertical with shaft upwards		Vertical with shaft downwards	
		Pushing	Pulling	Pushing	Pulling	Pushing	Pulling
		63	2	0,2	0,2	0,2	0,2
4	0,3		0,3	0,3	0,3	0,3	0,3
6	0,3		0,4	0,3	0,4	0,4	0,3
8	0,3		0,4	0,3	0,4	0,4	0,3
71	2	0,2	0,3	0,2	0,3	0,2	0,3
	4	0,3	0,4	0,3	0,4	0,3	0,4
	6	0,4	0,5	0,4	0,5	0,4	0,5
	8	0,5	0,6	0,4	0,6	0,5	0,6
80	2	0,3	0,4	0,3	0,4	0,3	0,4
	4	0,4	0,6	0,3	0,6	0,4	0,5
	6	0,5	0,7	0,4	0,7	0,5	0,7
	8	0,6	0,8	0,5	0,9	0,6	0,8
90	2	0,4	0,4	0,3	0,5	0,4	0,4
	4	0,5	0,6	0,5	0,7	0,5	0,6
	6	0,6	0,7	0,6	0,8	0,6	0,7
	8	0,8	0,9	0,7	0,9	0,8	0,8
100	2	0,4	0,6	0,3	0,7	0,4	0,6
	4	0,5	0,8	0,4	0,9	0,5	0,8
	6	0,7	1	0,6	1,1	0,7	1
	8	0,8	1,2	0,7	1,3	0,8	1,1
112	2	0,5	0,8	0,5	0,9	0,6	0,7
	4	0,7	1,1	0,7	1,2	0,8	1
	6	1	1,4	0,9	1,5	1	1,3
	8	1,1	1,5	1	1,7	1,1	1,4
132	2	0,7	1,3	0,6	1,5	0,8	1,2
	4	1	1,8	0,8	2,1	1	1,7
	6	1,2	2,2	1,1	2,5	1,3	2,1
	8	1,4	2,5	1,2	2,8	1,4	2,3
160	2	2,4	1,7	0,2	2,1	2,8	1,5
	4	3	2,3	2,7	2,7	3,4	2
	6	3,4	2,7	3,1	3,3	4	2,4
	8	3,9	3,2	3,6	3,7	4,4	2,9
180	2	3,2	2,3	2,9	2,8	3,7	2
	4	3,9	3	3,6	3,7	4,6	2,7
	6	4,7	3,8	4,2	4,5	5,3	3,3
	8	5,2	4,4	4,8	5,1	6	3,9
200	2	3,6	2,6	3,1	3,3	4,3	2,1
	4	4,5	3,5	4	4,3	5,3	3
	6	5,2	4,2	4,7	5,1	6,1	3,7
	8	6	5	5,5	5,9	6,9	4,5
225	2	4,6	3,8	3,8	4,9	5,7	3,1
	4	5,8	5	5	6,3	7,1	4,2
	6	6,7	5,9	5,7	7,6	8,4	4,9
	8	7,8	7	6,9	8,5	9,3	6,1
250	2	4,5	3,7	3,7	4,9	5,6	3
	4	5,4	4,7	4,2	6,6	7,4	3,4
	6	6,8	6	5,4	8	8,8	4,6
	8	7,8	7,1	6,6	8,9	9,7	5,9
280	2	4,4	3,7	3,2	5,4	6,2	2,4
	4	6,3	5,5	4,6	8	8,8	3,9
	6	7,6	6,8	5,8	9,4	10,2	5
	8	8,5	7,8	6,6	10,6	11,4	5,8
315S/M	2	4,1	3,3	2,4	5,9	6,7	1,6
	4	6,8	6	4,3	10	10,7	3,5
	6	8	7,2	5,2	11,9	12,7	4,5
	8	9,1	8,3	6,2	13,2	14	5,5
315L	2	3	2,2	1,1	5	5,7	0,4
	4	4,5	3,7	1,4	8,2	8,9	0,6
	6	5,2	4,4	1,9	9,5	10,3	1,2
	8	6,3	5,5	3,4	10	10,8	2,6
355M/L	2	4,4	3,7	1,1	8,8	9,5	0,3
	4	7,7	7	3,2	13,9	14,7	2,5
	6	9,1	8,4	4,7	15,3	16	3,9
	8	10,9	10,2	6,4	17,2	17,9	5,7
355A/B	2	4,1	3,3	On request			
	4	6,8	6				
	6	7,8	7				
	8	9,8	9				

Table 12 - Maximum permissible axial thrusts for ball bearings (horizontal mounting) - 20.000 hours



Maximum permissible axial thrust - 50 Hz - Fa in (kN) - 40.000 hours							
Frame	Poles	Horizontal		Vertical with shaft upwards		Vertical with shaft downwards	
		Pushing	Pulling	Pushing	Pulling	Pushing	Pulling
63	2	0,1	0,1	0,1	0,1	0,1	0,1
	4	0,2	0,2	0,2	0,2	0,2	0,2
	6	0,2	0,2	0,2	0,2	0,2	0,2
	8	0,2	0,2	0,2	0,2	0,2	0,2
71	2	0,1	0,2	0,1	0,2	0,1	0,2
	4	0,2	0,3	0,2	0,3	0,2	0,2
	6	0,2	0,3	0,2	0,3	0,2	0,3
	8	0,3	0,4	0,3	0,4	0,3	0,4
80	2	0,2	0,3	0,1	0,3	0,2	0,3
	4	0,2	0,4	0,2	0,4	0,2	0,3
	6	0,3	0,5	0,3	0,5	0,3	0,4
	8	0,4	0,6	0,3	0,6	0,4	0,5
90	2	0,2	0,3	0,2	0,3	0,2	0,2
	4	0,3	0,4	0,3	0,4	0,3	0,3
	6	0,4	0,5	0,4	0,5	0,4	0,4
	8	0,5	0,6	0,5	0,6	0,5	0,5
100	2	0,2	0,4	0,2	0,4	0,2	0,3
	4	0,3	0,5	0,2	0,6	0,3	0,5
	6	0,4	0,7	0,3	0,8	0,4	0,6
	8	0,5	0,8	0,4	0,9	0,5	0,7
112	2	0,3	0,5	0,3	0,6	0,3	0,4
	4	0,4	0,7	0,4	0,8	0,5	0,6
	6	0,6	0,9	0,5	1,1	0,6	0,8
	8	0,7	1	0,6	1,2	0,7	0,9
132	2	0,4	0,9	0,3	1,1	0,5	0,8
	4	0,6	1,2	0,5	1,4	0,6	1,1
	6	0,8	1,5	0,6	1,8	0,8	1,3
	8	0,9	1,7	0,7	2	0,9	1,5
160	2	1,8	1,1	1,6	1,5	2,2	0,9
	4	2,2	1,5	1,9	1,9	2,6	1,2
	6	2,5	1,8	2,2	2,3	3,1	1,5
	8	2,9	2,2	2,5	2,7	3,4	1,8
180	2	2,4	1,5	2,1	2	2,9	1,2
	4	2,9	2	2,5	2,6	3,5	1,6
	6	3,4	2,5	3	3,2	4,1	2,1
	8	3,9	3	3,5	3,7	4,6	2,6
200	2	2,7	1,7	2,2	2,4	3,4	1,2
	4	3,3	2,3	2,8	3,1	4,1	1,8
	6	3,8	2,8	3,3	3,8	4,8	2,3
	8	4,4	3,4	3,9	4,3	5,3	2,9
225	2	3,4	2,6	2,7	3,7	4,5	1,9
	4	4,2	3,5	3,4	4,7	5,5	2,6
	6	4,8	4	3,8	5,7	6,5	3
	8	5,7	4,9	4,8	6,4	7,1	4,1
250	2	3,4	2,5	2,5	3,7	4,5	1,8
	4	3,9	3,1	2,6	5	5,9	1,8
	6	4,9	4,1	3,6	6,2	7	2,8
	8	5,8	4,9	4,5	6,8	7,6	3,8
280	2	3,3	2,5	2	4,3	5,1	1,2
	4	4,6	3,8	2,9	6,2	7	2,1
	6	5,4	4,7	3,6	7,3	8	2,8
	8	6,1	5,4	4,2	8,2	9	3,4
315	2	2,9	2,2	1,2	4,8	5,5	0,4
	4	4,7	4	2,2	7,9	8,6	1,4
	6	5,6	4,8	2,8	9,4	10,2	2
	8	6,4	5,6	3,4	10,4	11,2	2,6
315L	2	3	2,2	1,1	5	5,7	0,4
	4	4,5	3,7	1,4	8,2	8,9	0,6
	6	5,2	4,4	1,9	9,5	10,3	1,2
	8	6,3	5,5	3,4	10	10,8	2,6
355M/L	2	3,1	2,4	0,6	6,7	7,5	0,2
	4	5,5	4,7	1,9	1,1	11,6	1,2
	6	6,3	5,6	2,8	11,8	12,7	2
	8	7,6	6,8	3,8	13,2	13,7	2,9
355A/B	2	2,9	2,2	On request			
	4	4,6	3,9				
	6	5,2	4,5				
	8	6,5	5,8				

Table 13 - Maximum permissible axial thrusts for ball bearings (horizontal mounting) - 40.000 hours



**Ex ec IIC T3 Gc / Ex tc IIIB T125°C Dc**

Output		Frame	Full Load Torque (Nm)	Locked Rotor Current I/In	Locked Rotor Torque Tl/Tn	Break-down Torque Tb/Tn	Inertia J (kgm²)	Allowable locked rotor time (s)		Weight (kg)	Sound dB(A)	400 V								
								Hot	Cold			Rated speed (rpm)	% of full load			Full load current In (A)				
													Efficiency				Power Factor			
kW	HP											50	75	100	50	75	100			
VI pole - 1000 rpm - 50 Hz																				
3	4	132S	29,4	6,3	2,3	2,6	0,05677	48	106	61	53	975	0,53	0,66	0,73	88	89,3	88,6	6,69	
4	5,5	132M	39,4	6,6	2,5	3,1	0,06434	35	77	68	53	970	0,53	0,66	0,73	88,5	89,6	89,5	8,84	
5,5	7,5	L132M/L	53,9	7,3	2,5	3	0,08326	27	59	84	53	975	0,5	0,63	0,71	88,7	90,1	90,5	12,4	
7,5	10	160M	73,1	6,8	2,6	2,9	0,1931	21	46	130	57	980	0,6	0,73	0,8	90,6	91,5	91,3	14,8	
9,2	12,5	160L	89,7	7,7	3	3,6	0,237	23	51	148	57	980	0,58	0,71	0,78	91,6	92	92,3	18,4	
11	15	160L	107	7,3	2,9	3,2	0,23699	14	31	150	57	980	0,55	0,68	0,77	90,3	91,5	92,3	22,3	
15	20	180L	146	8,2	2,8	3,4	0,37646	13	29	210	56	980	0,63	0,75	0,82	92	92,6	92,9	28,4	
18,5	25	200L	180	6,6	2,4	2,7	0,48961	23	51	235	60	980	0,63	0,75	0,81	92,7	93,2	93,4	35,3	
22	30	200L	213	7	2,6	2,9	0,52459	18	40	250	60	985	0,59	0,72	0,79	92,4	93,2	93,7	42,9	
30	40	225S/M	290	7,4	2,7	2,8	1,0242	27	59	430	63	988	0,69	0,79	0,84	93,7	94,1	94,2	54,7	
37	50	250S/M	358	7,5	2,7	2,8	1,65367	30	66	520	64	988	0,7	0,81	0,85	94,3	94,7	94,5	66,5	
45	60	280S/M	434	7,5	2,3	2,8	3,24946	35	77	723	65	990	0,54	0,74	0,8	94,4	95	94,8	85,6	
55	75	280S/M	531	7,2	2,6	3	3,92176	30	66	740	65	990	0,64	0,74	0,8	94,6	95,1	95,1	104	
75	100	315S/M	722	7,3	2,2	2,5	7,24744	30	66	1106	67	992	0,67	0,77	0,82	94,9	95,4	95,4	138	
90	125	315S/M	868	6,7	2,1	2,4	7,95594	30	66	1180	67	991	0,69	0,79	0,83	95,2	95,6	95,6	164	
110	150	315L	1061	6,9	2,1	2,4	9,04127	30	66	1320	68	991	0,67	0,77	0,82	95	95,8	95,8	202	
132	175	315L	1270	7,2	2,4	2,6	9,9454	30	66	1384	68	993	0,66	0,77	0,81	95	95,9	96	245	
150	200	315L	1445	7,2	2,7	2,6	11,0303	30	66	1448	68	992	0,67	0,78	0,83	95,5	96,1	96,1	271	
160	220	315L	1544	7,2	2,7	2,6	11,0303	30	66	1448	68	990	0,67	0,78	0,83	95,9	96,3	96,5	288	
185	250	355M/L	1778	6,6	2,1	2,4	13,17286	30	66	1854	73	994	0,64	0,75	0,81	95,6	96,2	96,3	342	
200	270	355M/L	1921	6,6	2,3	2,6	14,09727	72	158	1912	73	995	0,64	0,74	0,79	95	96	96,3	379	
220	300	355M/L	2115	6,5	2	2,4	15,02169	20	44	1970	73	994	0,65	0,76	0,81	95,5	96,2	96,5	406	
250	340	355A/B	2403	6,4	2,2	2,4	17,1024	30	66	2246	73	994	0,64	0,75	0,8	95,5	96,2	96,5	467	
260	350	355A/B	2509	6,5	2,2	2,3	17,1024	42	92	2246	73	990	0,66	0,76	0,82	96,1	96,5	96,6	474	
280	380	355A/B	2702	6,6	2,3	2,3	17,9923	35	77	2300	73	990	0,64	0,75	0,81	95,8	96,4	96,6	517	
300	400	355A/B	2895	6,5	2,2	2,3	18,915	35	77	2346	73	990	0,65	0,76	0,81	95,9	96,4	96,6	553	
315	430	355A/B	3031	6,7	2,2	2,4	18,915	31	68	2346	73	993	0,63	0,74	0,8	95,7	96,3	96,6	588	
Optional frames & high output designs																				
110	150	315S/M	1060	6,9	2,3	2,6	7,23267	30	66	1106	67	992	0,67	0,77	0,81	95,2	95,7	95,8	205	











**W22Xec - Premium Efficiency - IE3 <sup>(1)</sup>**

Output		Frame	Full Load Torque (Nm)	Locked Rotor Current I <sub>L</sub> /I <sub>n</sub>	Locked Rotor Torque T <sub>L</sub> /T <sub>n</sub>	Break-down Torque T <sub>b</sub> /T <sub>n</sub>	Inertia J (kgm <sup>2</sup> )	Allowable locked rotor time (s)		Weight (kg)	Sound dB(A)	400 V						Full load current I <sub>n</sub> (A)	
								Hot	Cold			% of full load			Power Factor				
												Efficiency							
VI pole - 1000 rpm - 50 Hz																			
0,12	0,16	63	1,24	3,1	2,1	2,3	0,0007	30	66	7,7	43,0	925	50,0	55,0	57,7	0,40	0,50	0,59	0,509
0,18	0,25	71	1,91	3,2	2,0	2,1	0,0009	30	66	11,5	43,0	900	56,0	62,0	63,9	0,38	0,48	0,57	0,713
0,25	0,33	80	2,50	4,3	2,0	2,4	0,0029	25	55	12,0	43,0	955	63,6	68,5	68,8	0,47	0,60	0,69	0,760
0,37	0,5	80	3,82	4,2	2,1	2,1	0,0025	25	55	12,5	43,0	925	66,0	69,5	73,5	0,51	0,65	0,75	0,969
0,55	0,75	L80	5,56	5,1	2,9	3,1	0,0037	20	44	15,5	43,0	945	70,5	75,2	77,2	0,45	0,58	0,69	1,49
0,75	1	L90S	7,54	5,2	2,5	2,6	0,0060	31	68	22,0	45,0	950	76,5	79,0	79,0	0,49	0,62	0,71	1,93
1,1	1,5	L90L	11,1	5,5	2,7	2,7	0,0077	20	44	26,0	45,0	945	79,3	81,4	81,0	0,50	0,64	0,73	2,69
1,5	2	100L	15,0	5,5	2,7	2,7	0,0143	31	68	32,0	44,0	955	81,5	82,5	82,5	0,49	0,62	0,71	3,70
2,2	3	112M	21,9	6,5	2,7	2,7	0,0257	26	57	46,0	49,0	960	83,0	84,5	84,5	0,48	0,61	0,71	5,29
3	4	132S	29,6	6,1	1,9	2,4	0,0416	40	88	65,0	53,0	970	85,0	85,6	85,6	0,53	0,66	0,73	6,93
4	5,5	132M	39,6	6,5	2,1	2,6	0,0492	20	44	70,0	53,0	965	86,0	86,8	86,8	0,53	0,66	0,73	9,11
5,5	7,5	132M/L	54,2	7,3	2,6	2,8	0,0755	26	57	78,0	53,0	970	86,5	88,0	88,0	0,50	0,64	0,70	12,9
7,5	10	160M	73,5	6,3	2,2	2,5	0,1404	16	35	118	57,0	975	88,5	89,3	89,1	0,62	0,74	0,80	15,2
9,2	12,5	160L	90,2	6,5	2,3	2,9	0,1756	18	40	135	57,0	975	90,0	90,6	90,0	0,64	0,75	0,81	18,2
11	15	160L	107	7,1	2,8	3,0	0,1931	12	26	140	57,0	978	89,0	90,1	90,5	0,56	0,70	0,77	22,8
15	20	180L	147	8,2	2,8	3,2	0,2970	8	18	185	56,0	977	91,5	91,5	91,4	0,65	0,77	0,84	28,2
18,5	25	200L	180	6,3	2,4	2,8	0,3510	16	35	215	60,0	980	91,0	91,7	91,9	0,63	0,75	0,81	35,9
22	30	200L	215	6,4	2,4	2,8	0,4212	15	33	225	60,0	980	91,4	92,0	92,4	0,64	0,76	0,81	42,4
30	40	225S/M	292	6,5	2,4	2,6	0,8194	15	33	380	63,0	982	93,0	93,4	93,1	0,67	0,78	0,83	56,0
37	50	250S/M	359	7,2	2,5	2,7	1,24	20	44	430	64,0	985	93,3	93,5	93,5	0,70	0,80	0,85	67,2
45	60	280S/M	435	6,4	2,1	2,5	2,35	28	62	640	65,0	988	93,9	93,9	93,9	0,67	0,77	0,82	84,4
55	75	280S/M	532	6,8	2,2	2,5	2,69	24	53	665	65,0	988	94,0	94,2	94,3	0,66	0,77	0,82	103
75	100	315S/M	722	6,3	2,0	2,5	4,35	37	81	920	67,0	992	94,6	94,9	94,9	0,67	0,77	0,82	139
90	125	315S/M	869	6,4	2,2	2,5	5,42	35	77	990	67,0	990	95,1	95,5	95,1	0,68	0,78	0,83	165
110	150	315S/M	1062	6,2	2,1	2,4	6,15	31	68	1040	67,0	990	95,4	95,6	95,3	0,70	0,80	0,83	201
132	175	315S/M	1271	7,0	2,4	2,7	7,23	25	55	1100	67,0	992	95,4	95,8	95,6	0,67	0,77	0,82	243
150	200	315L	1448	6,5	2,3	2,5	7,96	25	55	1200	68,0	990	95,4	95,8	95,7	0,67	0,78	0,83	273
160	220	315L	1544	7,1	2,5	2,8	6,87	22	48	1230	68,0	990	95,6	95,6	95,8	0,67	0,77	0,82	294
185	250	315L	1786	7,1	2,4	2,6	9,22	20	44	1300	68,0	990	95,0	95,8	95,8	0,65	0,76	0,81	344
200	270	355M/L	1924	6,1	1,9	2,1	10,4	39	86	1620	73,0	993	95,5	96,0	95,9	0,66	0,76	0,80	376
220	300	355M/L	2115	6,5	2,1	2,4	12,0	36	79	1710	73,0	994	95,0	95,5	96,0	0,63	0,74	0,79	419
250	340	355M/L	2406	6,4	2,2	2,3	13,9	38	84	1830	73,0	993	95,7	95,9	95,9	0,64	0,75	0,79	476
260	350	355M/L	2502	5,5	2,1	2,2	13,9	38	84	1830	73,0	993	95,7	95,9	95,9	0,64	0,75	0,79	495
280	380	355M/L	2692	6,5	2,3	2,5	15,0	38	84	1970	73,0	994	95,1	95,1	96,0	0,64	0,75	0,80	526
300	400	355M/L	2890	5,8	1,9	2,0	15,0	25	55	2493	73,0	992	95,8	96,0	96,0	0,63	0,74	0,80	564
315	430	355M/L <sup>(2)</sup>	3034	6,1	2,1	2,1	15,0	25	55	2493	73,0	992	95,2	95,8	95,8	0,66	0,76	0,80	593
355	480	355A/B <sup>(2)</sup>	3419	6,2	2,0	2,3	17,1	29	64	2200	73,0	992	95,3	95,7	95,8	0,63	0,74	0,79	677
Optional frames & high output designs																			
0,55	0,75	90S	5,47	5,5	2,3	2,8	0,0055	35	77	19,0	45,0	960	77,0	77,2	77,5	0,48	0,62	0,71	1,44
0,55	0,75	L90S	5,47	5,5	2,3	2,8	0,0055	35	77	19,0	45,0	960	77,0	77,2	77,5	0,48	0,62	0,71	1,44
1,1	1,5	100L	11,1	4,9	2,2	2,4	0,0110	32	70	28,5	44,0	945	80,5	81,0	81,0	0,51	0,65	0,73	2,69
1,1	1,5	112M	11,0	6,2	2,3	2,8	0,0220	28	62	39,0	49,0	960	80,0	81,0	82,0	0,52	0,64	0,70	2,77
1,5	2	112M	14,9	6,7	2,8	3,0	0,0202	28	62	42,0	49,0	965	84,5	85,5	85,5	0,51	0,62	0,70	3,62
2,2	3	132S	21,6	6,5	2,1	2,5	0,0492	30	66	63,0	53,0	975	85,5	86,0	86,5	0,52	0,64	0,72	5,10
3	4	132M	29,6	6,1	1,9	2,4	0,0416	40	88	65,0	53,0	970	85,0	85,6	85,6	0,53	0,66	0,73	6,93
5,5	7,5	160M	53,8	6,5	2,4	2,9	0,1229	31	68	112	57,0	977	87,5	88,0	88,0	0,58	0,71	0,79	11,4
7,5	100	280S/M	724	7,9	2,7	3,2	4,48	17	37	725	65,0	990	94,1	94,7	94,7	0,63	0,75	0,81	141
150	200	355M/L	1443	5,4	1,8	2,3	8,78	76	167	1440	73,0	993	94,5	95,0	95,6	0,65	0,75	0,80	283
160	220	355M/L	1540	5,5	1,8	2,1	8,80	33	73	1500	73,0	993	94,9	95,6	95,8	0,63	0,74	0,79	305
185	250	355M/L	1778	6,6	2,1	2,4	9,26	34	75	1550	73,0	994	94,9	95,6	95,8	0,62	0,72	0,77	362

Notes:

- (1) Efficiency values are given according to IEC 60034-2-1. They are calculated according to indirect method, with stray load losses determined by measurement.
- (2) Fitted with air deflector in the drive end side.



**Ex ec IIC T3 Gc / Ex tc IIIB T125°C Dc**

Output		380 V								415 V							
		Rated speed (rpm)	% of full load						Full load current In (A)	Rated speed (rpm)	% of full load						Full load current In (A)
			Efficiency			Power Factor					Efficiency			Power Factor			
kW	HP	50	75	100	50	75	100		50	75	100	50	75	100			
VI pole - 1000 rpm - 50 Hz																	
0,12	0,16	910	48,7	54,7	57,7	0,40	0,53	0,63	0,502	930	50,0	55,0	57,7	0,39	0,47	0,56	0,517
0,18	0,25	885	57,7	62,8	63,9	0,43	0,55	0,64	0,669	910	54,5	61,2	63,9	0,38	0,48	0,57	0,688
0,25	0,33	950	65,9	68,0	68,6	0,51	0,64	0,73	0,758	960	61,7	68,2	68,8	0,45	0,57	0,66	0,766
0,37	0,5	915	67,6	69,9	73,5	0,55	0,69	0,79	0,968	935	64,3	68,8	73,5	0,48	0,62	0,72	0,973
0,55	0,75	940	73,4	76,7	77,2	0,49	0,63	0,73	1,48	950	67,9	75,0	77,2	0,42	0,55	0,65	1,52
0,75	1	945	77,5	79,2	78,9	0,53	0,66	0,74	1,95	955	75,3	78,6	79,1	0,46	0,59	0,69	1,91
1,1	1,5	940	81,0	82,0	81,0	0,55	0,69	0,77	2,68	950	77,7	80,7	81,0	0,47	0,61	0,70	2,70
1,5	2	950	82,3	82,6	82,5	0,53	0,66	0,74	3,73	960	80,6	82,3	82,8	0,46	0,59	0,68	3,71
2,2	3	955	83,6	84,4	84,3	0,52	0,65	0,73	5,43	965	82,3	84,3	84,7	0,45	0,58	0,69	5,24
3	4	965	85,0	85,6	85,6	0,57	0,69	0,76	7,01	975	85,2	85,8	85,6	0,49	0,63	0,71	6,87
4	5,5	960	86,3	86,8	86,8	0,57	0,70	0,76	9,21	970	85,4	86,5	86,8	0,49	0,62	0,71	9,03
5,5	7,5	965	87,4	88,3	88,0	0,55	0,68	0,75	12,7	975	85,8	87,7	88,0	0,47	0,60	0,67	13,0
7,5	10	970	88,9	89,0	89,1	0,65	0,77	0,82	15,6	975	88,0	89,0	89,1	0,58	0,71	0,79	14,8
9,2	12,5	970	89,5	90,0	90,0	0,68	0,78	0,83	18,7	975	89,6	90,0	90,0	0,61	0,73	0,79	18,0
11	15	975	89,7	90,3	90,3	0,60	0,73	0,80	23,1	980	88,3	89,8	90,5	0,53	0,67	0,74	22,9
15	20	975	90,7	91,0	91,2	0,68	0,80	0,86	29,1	980	91,3	91,6	91,6	0,62	0,75	0,82	27,8
18,5	25	980	91,0	91,7	91,7	0,68	0,78	0,83	36,9	985	90,3	91,4	91,7	0,59	0,72	0,78	36,0
22	30	980	92,0	92,2	92,2	0,69	0,79	0,84	43,2	980	90,8	91,8	92,2	0,60	0,72	0,79	42,0
30	40	980	93,3	93,3	92,9	0,71	0,80	0,85	57,7	985	92,8	93,4	93,0	0,64	0,75	0,82	54,7
37	50	980	93,3	93,3	93,3	0,73	0,82	0,86	70,1	985	93,3	93,5	93,5	0,68	0,78	0,84	65,5
45	60	985	93,7	93,8	93,8	0,70	0,80	0,83	87,8	990	93,7	94,0	94,0	0,64	0,75	0,81	82,2
55	75	987	94,0	94,2	94,2	0,70	0,79	0,83	107	989	94,0	94,3	94,3	0,63	0,75	0,81	100
75	100	990	94,6	94,8	94,8	0,71	0,80	0,83	145	992	94,3	95,0	95,0	0,64	0,75	0,80	137
90	125	990	95,0	95,1	95,1	0,72	0,80	0,84	171	990	95,0	95,1	95,2	0,65	0,76	0,81	162
110	150	990	94,8	95,0	95,1	0,74	0,82	0,84	209	990	94,8	95,1	95,1	0,68	0,78	0,82	196
132	175	991	95,4	95,8	95,6	0,69	0,79	0,83	253	992	95,4	95,8	95,6	0,65	0,75	0,80	240
150	200	990	95,4	95,7	95,7	0,69	0,80	0,85	280	990	95,4	95,5	95,7	0,65	0,76	0,81	269
160	220	990	95,5	95,8	95,8	0,71	0,80	0,84	302	990	95,3	95,8	95,8	0,64	0,75	0,81	287
185	250	990	94,8	95,3	95,8	0,70	0,79	0,83	353	990	94,8	95,3	95,8	0,62	0,74	0,80	336
200	270	992	95,7	96,0	95,8	0,70	0,79	0,82	387	993	95,3	95,9	95,9	0,63	0,74	0,79	367
220	300	993	95,0	95,5	96,0	0,65	0,76	0,81	430	995	95,0	95,5	96,1	0,61	0,72	0,77	414
250	340	992	95,8	95,8	95,8	0,68	0,77	0,80	496	994	95,5	96,0	96,0	0,61	0,73	0,78	464
260	350	992	95,0	95,8	95,8	0,68	0,77	0,80	515	993	95,5	96,0	96,0	0,61	0,73	0,78	483
280	380	993	95,7	96,1	96,0	0,68	0,77	0,81	547	994	95,2	95,9	96,1	0,61	0,72	0,78	520
300	400	991	95,8	96,0	96,0	0,65	0,76	0,82	579	993	95,8	96,0	96,0	0,61	0,73	0,78	557
315	430	992	95,8	96,2	96,0	0,68	0,78	0,81	615	993	95,3	96,0	96,1	0,61	0,73	0,78	585
355	480	991	95,4	95,7	95,8	0,64	0,75	0,79	713	993	95,2	95,7	95,9	0,62	0,73	0,79	652
Optional frames & high output designs																	
0,55	0,75	950	76,0	77,0	77,2	0,52	0,66	0,74	1,46	960	77,2	77,5	77,6	0,45	0,59	0,68	1,45
0,55	0,75	950	76,0	77,0	77,2	0,52	0,66	0,74	1,46	960	77,2	77,5	77,6	0,45	0,59	0,68	1,45
1,1	1,5	940	80,8	80,9	81,0	0,55	0,68	0,75	2,75	950	79,9	80,9	81,5	0,48	0,62	0,70	2,68
1,1	1,5	955	80,0	81,0	82,0	0,55	0,70	0,72	2,83	960	80,0	81,0	82,0	0,48	0,62	0,68	2,74
1,5	2	960	85,1	85,4	84,9	0,54	0,65	0,72	3,73	965	84,0	85,4	85,8	0,48	0,60	0,68	3,58
2,2	3	970	85,5	86,0	86,5	0,55	0,67	0,74	5,22	980	85,5	86,0	86,5	0,48	0,61	0,70	5,05
3	4	965	85,0	85,6	85,6	0,57	0,69	0,76	7,01	975	85,2	85,8	85,6	0,49	0,63	0,71	6,87
5,5	7,5	975	87,5	88,0	88,0	0,62	0,74	0,80	11,9	979	87,5	88,0	88,0	0,56	0,69	0,77	11,3
7,5	10	990	94,4	94,6	94,6	0,67	0,78	0,83	145	990	93,8	94,6	94,7	0,60	0,72	0,79	139
150	200	992	94,5	95,6	95,6	0,69	0,78	0,81	294	994	94,5	95,0	95,6	0,62	0,73	0,78	280
160	220	992	95,0	95,8	95,8	0,67	0,77	0,81	313	993	95,0	95,8	95,8	0,60	0,72	0,77	302
185	250	993	94,9	95,8	95,8	0,65	0,75	0,80	367	995	94,8	95,6	95,8	0,57	0,69	0,75	358



**W22Xec - Premium Efficiency - IE3 <sup>(1)</sup>**

Output		Frame	Full Load Torque (Nm)	Locked Rotor Current I <sub>L</sub> /I <sub>n</sub>	Locked Rotor Torque T <sub>L</sub> /T <sub>n</sub>	Break-down Torque T <sub>b</sub> /T <sub>n</sub>	Inertia J (kgm <sup>2</sup> )	Allowable locked rotor time (s)		Weight (kg)	Sound dB(A)	400 V						Full load current I <sub>n</sub> (A)	
								Rated speed (rpm)	% of full load			Power Factor							
									Efficiency				50		75	100			
kW	HP							Hot	Cold			50	75	100	50	75	100		
VIII poles - 750 rpm - 50 Hz																			
0,12	0,16	71	1,76	2,4	1,8	1,9	0,0009	30	66	11,5	41,0	650	44,0	50,0	52,5	0,35	0,43	0,50	0,660
0,18	0,25	80	2,53	3,3	2,0	2,2	0,0029	30	66	13,5	42,0	680	51,0	57,0	58,7	0,45	0,55	0,65	0,681
0,25	0,33	80	3,44	3,5	2,0	2,2	0,0034	30	66	14,5	42,0	695	53,0	60,0	64,1	0,42	0,52	0,63	0,894
0,37	0,5	90S	5,05	3,7	2,0	2,3	0,0055	30	66	19,0	44,0	700	61,0	66,0	69,3	0,41	0,53	0,62	1,24
0,55	0,75	90L	7,56	3,8	1,9	2,2	0,0066	29	64	23,0	44,0	695	65,0	70,0	73,0	0,44	0,57	0,67	1,62
0,75	1	100L	10,1	4,3	1,8	2,1	0,0127	30	66	30,5	50,0	710	72,5	75,5	75,5	0,41	0,53	0,62	2,31
1,1	1,5	100L	14,8	4,6	1,9	2,0	0,0143	30	66	33,0	50,0	710	73,0	76,0	77,7	0,41	0,53	0,62	3,30
1,5	2	112M	20,3	5,0	2,5	2,8	0,0238	28	62	43,0	46,0	705	79,0	79,5	79,9	0,45	0,59	0,68	3,98
2,2	3	132S	29,6	6,2	2,3	2,5	0,0690	27	59	69,0	48,0	710	81,5	82,0	82,1	0,51	0,65	0,72	5,37
3	4	132M	40,1	6,5	2,4	2,6	0,0838	21	46	75,0	48,0	715	82,5	83,5	83,5	0,51	0,64	0,72	7,20
4	5,5	160M	52,4	5,0	2,1	2,3	0,1229	24	75	114	51,0	730	85,0	86,0	86,0	0,47	0,61	0,68	9,87
5,5	7,5	160M	72,5	5,0	2,1	2,3	0,1492	28	62	123	51,0	725	86,0	87,3	87,3	0,52	0,65	0,73	12,5
7,5	10	160L	98,0	5,5	2,2	2,5	0,2199	22	48	145	51,0	731	86,5	88,0	88,4	0,46	0,59	0,68	18,0
9,2	12,5	180M	121	6,0	2,0	2,6	0,2575	15	33	173	52,0	725	89,0	89,3	89,6	0,63	0,75	0,80	18,5
11	15	180L	144	6,5	2,3	2,7	0,2846	12	26	185	52,0	730	88,7	89,2	89,7	0,55	0,68	0,76	23,3
15	20	200L	196	4,9	1,8	2,0	0,4571	33	73	220	56,0	730	89,8	89,9	90,0	0,56	0,68	0,74	32,5
18,5	25	225S/M	241	6,5	1,7	2,5	0,8219	28	62	377	56,0	735	89,8	90,3	90,3	0,63	0,75	0,81	36,5
22	30	225S/M	286	7,0	2,1	2,7	0,9574	20	44	402	56,0	735	90,3	90,8	90,8	0,61	0,73	0,79	44,3
30	40	250S/M	393	7,4	1,9	2,8	1,43	18	40	490	56,0	730	91,0	91,5	91,5	0,66	0,77	0,83	57,0
37	50	280S/M	478	5,5	1,8	2,3	2,82	32	70	673	59,0	740	91,5	92,0	92,0	0,60	0,71	0,77	75,4
45	60	280S/M	581	6,0	1,8	2,2	3,49	30	66	720	59,0	740	92,2	92,4	92,4	0,63	0,73	0,79	89,0
55	75	315S/M	710	6,0	1,7	2,2	5,11	40	88	960	62,0	740	92,2	92,7	92,7	0,65	0,75	0,80	107
75	100	315S/M	968	6,0	1,8	2,2	6,56	40	88	1025	62,0	740	92,8	93,3	93,3	0,65	0,75	0,80	145
90	125	315S/M	1159	6,5	2,1	2,3	7,84	40	88	1100	62,0	742	93,1	93,6	93,6	0,65	0,75	0,80	173
110	150	315L	1420	6,0	1,9	2,2	9,46	35	77	1367	68,0	740	93,4	93,9	93,9	0,64	0,74	0,79	214
132	175	315L	1704	6,0	2,0	2,3	11,3	34	75	1508	68,0	740	93,7	94,2	94,2	0,64	0,74	0,79	256
150	200	355M/L	1926	6,5	1,6	2,5	13,2	45	99	1540	70,0	744	94,0	94,2	94,2	0,62	0,73	0,78	295
160	220	355M/L	2055	6,4	1,4	2,3	17,4	30	66	1747	70,0	744	94,0	94,5	94,5	0,64	0,75	0,79	309
185	250	355M/L	2373	6,9	2,0	2,9	18,5	56	123	1819	70,0	745	93,4	94,7	94,7	0,63	0,73	0,78	361
200	270	355M/L	2565	6,2	1,3	2,3	18,9	56	123	1891	70,0	745	94,3	94,8	94,8	0,65	0,76	0,80	381
220	300	355M/L	2825	7,0	1,8	2,6	19,8	30	66	2020	70,0	744	94,8	95,1	95,2	0,60	0,72	0,77	433
250	340	355A/B <sup>(2)</sup>	3211	6,2	1,6	2,5	21,7	47	103	2092	70,0	744	94,8	95,3	95,3	0,62	0,73	0,79	479
260	350	355A/B <sup>(2)</sup>	3335	6,2	1,5	2,4	21,7	47	103	2092	70,0	745	94,8	95,3	95,3	0,62	0,73	0,79	498
280	380	355A/B <sup>(2)</sup>	3591	7,8	2,2	3,1	25,0	30	66	2279	70,0	745	94,1	95,1	95,3	0,61	0,71	0,77	551
Optional frames & high output designs																			
0,37	0,5	L90S	5,05	3,7	2,0	2,3	0,0055	30	66	19,0	44,0	700	61,0	66,0	69,3	0,41	0,53	0,62	1,24
0,55	0,75	L90L	7,56	3,8	1,9	2,2	0,0066	29	64	23,0	44,0	695	65,0	70,0	73,0	0,44	0,57	0,67	1,62
110	150	355M/L	1411	6,1	1,3	2,3	11,6	63	139	1450	70,0	745	93,4	93,9	93,9	0,64	0,75	0,79	214
132	175	355M/L	1693	6,5	1,3	2,3	12,6	48	106	1587	70,0	745	93,7	94,2	94,2	0,64	0,74	0,79	256

Notes:

- (1) Efficiency values are given according to IEC 60034-2-1. They are calculated according to indirect method, with stray load losses determined by measurement.
- (2) Fitted with air deflector in the drive end side.

**Ex ec IIC T3 Gc / Ex tc IIIB T125°C Dc**

Output		380 V								415 V							
		Rated speed (rpm)	% of full load						Full load current In (A)	Rated speed (rpm)	% of full load						Full load current In (A)
			Efficiency			Power Factor					Efficiency			Power Factor			
kW	HP	50	75	100	50	75	100	50	75	100	50	75	100	50	75	100	
VIII poles - 750 rpm - 50 Hz																	
0,12	0,16	640	46,6	51,7	52,9	0,38	0,46	0,54	0,638	655	41,8	48,2	51,4	0,34	0,41	0,48	0,677
0,18	0,25	670	52,8	58,0	58,7	0,48	0,59	0,69	0,675	685	49,3	56,0	58,7	0,43	0,53	0,62	0,688
0,25	0,33	685	54,0	60,0	64,1	0,44	0,57	0,67	0,884	705	56,0	62,0	64,3	0,39	0,50	0,60	0,902
0,37	0,5	690	61,0	66,0	69,3	0,44	0,56	0,66	1,23	710	62,0	67,0	69,5	0,38	0,50	0,59	1,26
0,55	0,75	690	65,0	70,0	73,0	0,49	0,62	0,70	1,64	705	65,0	70,0	73,0	0,42	0,55	0,64	1,64
0,75	1	705	73,9	76,1	75,1	0,44	0,57	0,64	2,37	715	71,1	74,8	75,5	0,38	0,50	0,59	2,34
1,1	1,5	700	74,9	76,8	77,7	0,45	0,58	0,66	3,26	710	71,1	76,0	77,7	0,38	0,50	0,59	3,34
1,5	2	700	79,0	79,5	79,7	0,49	0,63	0,71	4,03	710	77,9	79,7	79,9	0,42	0,56	0,65	4,02
2,2	3	705	81,5	81,9	81,9	0,57	0,68	0,76	5,37	715	81,0	82,0	82,2	0,48	0,62	0,70	5,32
3	4	710	83,4	83,5	83,5	0,56	0,68	0,75	7,28	720	81,5	83,2	83,7	0,48	0,61	0,70	7,12
4	5,5	725	85,6	86,8	86,1	0,51	0,64	0,70	10,1	735	84,4	86,6	86,8	0,44	0,58	0,66	9,71
5,5	7,5	720	86,7	87,3	87,2	0,56	0,68	0,76	12,6	730	85,2	87,0	87,8	0,49	0,62	0,71	12,3
7,5	10	728	87,0	88,0	88,3	0,50	0,63	0,71	18,2	732	86,0	88,0	88,5	0,44	0,56	0,65	18,1
9,2	12,5	720	88,5	89,0	89,0	0,67	0,78	0,82	19,2	730	88,6	89,3	90,0	0,60	0,73	0,78	18,2
11	15	725	88,5	89,0	89,5	0,59	0,71	0,77	24,3	731	89,0	89,5	90,0	0,52	0,65	0,74	23,0
15	20	730	89,4	89,5	89,6	0,60	0,71	0,76	33,5	730	89,4	90,1	90,2	0,53	0,65	0,72	32,1
18,5	25	730	89,8	90,1	90,1	0,67	0,78	0,83	37,6	735	89,8	90,3	90,3	0,60	0,73	0,80	35,6
22	30	730	90,3	90,6	90,6	0,65	0,76	0,81	45,5	735	90,3	90,8	90,8	0,57	0,70	0,77	43,8
30	40	725	91,0	91,3	91,3	0,70	0,80	0,85	58,7	730	91,0	91,5	91,5	0,63	0,75	0,85	53,7
37	50	740	91,5	91,8	91,8	0,64	0,73	0,79	77,5	741	91,5	92,0	92,0	0,58	0,69	0,75	74,6
45	60	740	91,9	92,2	92,2	0,67	0,76	0,80	92,7	740	91,9	92,4	92,4	0,60	0,71	0,78	86,9
55	75	740	92,2	92,5	92,5	0,69	0,77	0,81	112	740	92,2	92,7	92,7	0,62	0,73	0,79	104
75	100	740	92,8	93,1	93,1	0,69	0,77	0,81	151	740	92,8	93,3	93,3	0,62	0,73	0,79	142
90	125	740	93,1	93,4	93,4	0,69	0,77	0,81	181	743	93,1	93,6	93,6	0,61	0,72	0,78	171
110	150	740	93,4	93,7	93,7	0,68	0,77	0,81	220	740	93,4	93,9	93,9	0,61	0,72	0,78	209
132	175	740	93,7	94,0	94,0	0,68	0,77	0,81	263	740	93,7	94,2	94,2	0,61	0,72	0,78	250
150	200	744	93,8	94,2	94,2	0,66	0,76	0,80	302	745	93,8	94,2	94,2	0,58	0,70	0,76	291
160	220	743	94,0	94,3	94,3	0,68	0,78	0,81	318	745	93,5	94,5	94,5	0,61	0,73	0,77	306
185	250	744	93,6	94,6	94,6	0,67	0,76	0,80	371	745	93,2	94,8	94,8	0,60	0,70	0,76	357
200	270	745	94,3	94,6	94,6	0,69	0,79	0,82	392	745	94,3	94,8	94,8	0,61	0,73	0,78	376
220	300	743	94,8	95,1	95,2	0,65	0,75	0,79	444	745	94,8	95,1	95,2	0,58	0,73	0,75	429
250	340	743	95,0	95,2	95,2	0,67	0,77	0,81	493	745	94,6	95,2	95,3	0,58	0,70	0,77	474
260	350	745	95,0	95,2	95,2	0,67	0,77	0,81	512	745	94,6	95,2	95,3	0,58	0,70	0,77	493
280	380	745	94,5	95,2	95,3	0,65	0,75	0,80	558	745	94,0	95,0	95,3	0,57	0,68	0,75	545
Optional frames & high output designs																	
0,37	0,5	690	61,0	66,0	69,3	0,44	0,56	0,66	1,23	710	62,0	67,0	69,5	0,38	0,50	0,59	1,26
0,55	0,75	690	65,0	70,0	73,0	0,49	0,62	0,70	1,64	705	65,0	70,0	73,0	0,42	0,55	0,64	1,64
110	150	744	93,4	93,7	93,7	0,68	0,77	0,81	220	745	93,4	93,9	93,9	0,61	0,73	0,78	209
132	175	743	93,7	94,0	94,0	0,66	0,75	0,81	263	745	93,7	94,2	94,2	0,60	0,71	0,77	253



### 5.3 W22Xec - High Efficiency - IE2 <sup>(1)</sup>

Output		Frame	Full Load Torque (Nm)	Locked Rotor Current I/In	Locked Rotor Torque Tl/Tn	Break-down Torque Tb/Tn	Inertia J (kgm <sup>2</sup> )	Allowable locked rotor time (s)		Weight (kg)	Sound dB(A)	400 V						Full load current In (A)	
								Hot	Cold			Efficiency			Power Factor				
												50	75	100	50	75	100		
II pole - 3000 rpm - 50 Hz																			
0,12	0,16	63	0,410	4,8	3,0	2,9	0,0001	37	81	7,0	52,0	2790	53,0	60,0	60,7	0,53	0,66	0,75	0,380
0,18	0,25	63	0,610	5,1	2,5	2,7	0,0001	15	33	8,7	52,0	2830	57,0	62,0	64,0	0,57	0,70	0,79	0,514
0,25	0,33	63	0,860	4,4	2,2	2,2	0,0002	11	24	8,3	52,0	2780	58,0	63,0	65,0	0,57	0,70	0,80	0,694
0,37	0,5	71	1,25	5,8	2,5	2,6	0,0004	12	26	10,5	56,0	2830	68,0	70,0	71,0	0,60	0,75	0,84	0,895
0,55	0,75	71	1,86	5,3	2,3	2,3	0,0005	9	20	11,4	56,0	2820	70,0	72,0	74,1	0,68	0,82	0,88	1,22
0,75	1	80	2,53	6,5	2,7	2,7	0,0008	14	31	13,7	59,0	2830	76,0	78,5	79,5	0,65	0,78	0,85	1,60
1,1	1,5	80	3,72	6,0	2,8	2,7	0,0009	10	22	14,9	59,0	2825	78,0	79,5	79,6	0,60	0,74	0,83	2,40
1,5	2	90S	5,07	6,5	2,5	2,7	0,0021	7	15	19,5	62,0	2825	80,0	82,0	82,0	0,63	0,76	0,83	3,18
2,2	3	90L	7,38	7,0	3,2	3,2	0,0022	9	20	23,9	64,0	2850	83,0	83,6	83,6	0,60	0,75	0,82	4,63
3	4	100L	9,85	8,0	2,5	3,5	0,0064	7	15	31,9	67,0	2910	84,0	85,0	85,0	0,70	0,81	0,86	5,92
4	5,5	112M	13,2	7,0	2,3	2,8	0,0088	10	22	41,2	64,0	2895	86,0	86,0	86,0	0,73	0,83	0,88	7,63
5,5	7,5	132S	17,9	6,8	2,2	3,0	0,0197	17	37	60,7	67,0	2930	86,5	88,0	88,0	0,68	0,79	0,85	10,6
7,5	10	132S	24,5	7,0	2,2	2,9	0,0251	9	20	68,3	67,0	2920	88,0	88,5	88,5	0,72	0,82	0,87	14,1
9,2	12,5	132M	30,2	7,6	2,5	3,2	0,0234	7	15	63,1	67,0	2915	88,5	89,0	89,0	0,70	0,81	0,86	17,3
11	15	160M	35,7	7,5	2,5	3,3	0,0446	13	29	111	67,0	2945	90,0	90,6	90,5	0,71	0,82	0,86	20,4
15	20	160M	48,8	7,4	2,6	3,1	0,0517	9	20	118	67,0	2940	91,0	91,3	91,3	0,71	0,81	0,86	27,6
18,5	25	160L	60,0	8,5	2,9	3,6	0,0625	8	18	134	67,0	2945	91,3	92,0	92,0	0,70	0,80	0,86	33,7
22	30	180M	71,0	7,6	2,9	3,0	0,0975	9	20	167	67,0	2960	91,9	92,4	92,2	0,74	0,83	0,87	39,6
30	40	200L	96,7	6,8	2,7	2,7	0,1703	16	35	229	72,0	2965	92,5	93,0	92,9	0,75	0,83	0,87	53,6
37	50	200L	119	7,1	2,7	2,6	0,1950	11	24	250	72,0	2965	92,7	93,4	93,3	0,73	0,82	0,86	66,6
45	60	225S/M	145	7,0	2,2	2,8	0,2490	12	26	366	75,0	2960	93,3	93,6	93,6	0,79	0,86	0,89	78,0
55	75	250S/M	178	7,6	2,5	3,0	0,3736	14	31	502	75,0	2960	92,8	93,5	93,9	0,79	0,86	0,89	95,0
75	100	280S/M	241	7,0	2,0	2,8	0,8541	28	62	710	77,0	2975	93,4	94,3	94,3	0,79	0,86	0,88	130
90	125	280S/M	289	7,5	2,0	2,8	0,9386	25	55	745	77,0	2977	94,0	94,6	94,6	0,77	0,85	0,87	158
110	150	315S/M	353	7,5	2,0	3,0	1,67	24	53	1000	77,0	2980	94,3	94,9	94,9	0,77	0,85	0,87	192
132	175	315S/M	423	7,3	2,0	2,9	1,96	21	46	1050	77,0	2980	94,5	95,1	95,1	0,79	0,86	0,89	225
132	180	315S/M	423	7,3	2,0	2,9	1,96	21	46	1050	77,0	2980	94,5	95,1	95,1	0,80	0,87	0,90	223
150	200	315S/M	481	7,5	2,2	3,0	1,96	23	51	1150	77,0	2980	94,2	94,8	94,8	0,78	0,85	0,88	260
160	220	315S/M	513	7,5	2,2	2,9	2,24	23	51	1190	77,0	2980	94,8	95,3	95,3	0,80	0,87	0,89	272
185	250	315S/M	593	7,6	2,2	3,1	2,46	16	35	1250	77,0	2980	94,9	95,5	95,4	0,80	0,86	0,89	314
200	270	315L	641	7,5	2,3	2,7	2,68	21	46	1300	78,0	2980	95,0	95,5	95,4	0,82	0,88	0,90	336
220	300	315L	705	7,8	2,4	2,8	2,98	14	31	1350	78,0	2980	95,0	95,5	95,5	0,81	0,87	0,90	369
250	340	315L	802	7,8	2,4	2,8	3,42	17	37	1450	78,0	2980	95,1	95,6	95,5	0,84	0,89	0,91	415
280	380	315L	898	7,9	2,3	2,8	4,17	12	26	1600	78,0	2980	95,2	95,6	95,6	0,85	0,89	0,91	465
300	400	355M/L	960	8,0	2,5	2,6	5,60	23	51	1950	80,0	2985	95,2	95,6	95,6	0,87	0,91	0,92	492
315	430	355M/L <sup>(2)</sup>	1008	8,0	2,5	2,8	5,60	23	51	2000	80,0	2985	95,2	95,6	95,6	0,87	0,91	0,92	517
355	480	355M/L <sup>(2)</sup>	1136	8,4	2,2	2,8	6,01	14	31	2050	80,0	2985	95,3	95,6	95,6	0,87	0,90	0,91	589
400	550	355A/B <sup>(2)</sup>	1280	8,5	2,4	2,8	6,76	31	68	2400	83,0	2985	95,6	95,7	95,7	0,85	0,89	0,91	663
450	610	355A/B <sup>(2)</sup>	1442	7,5	2,8	2,7	7,40	31	68	2500	83,0	2982	95,0	95,5	95,7	0,85	0,90	0,91	746
Optional frames & high output designs																			
0,75	1	90S	2,51	6,5	2,7	2,8	0,0012	25	55	17,5	64,0	2850	77,0	79,0	79,0	0,61	0,73	0,80	1,71
1,1	1,5	90S	3,67	6,5	2,3	2,6	0,0014	12	26	19,0	64,0	2865	80,0	80,5	80,5	0,61	0,75	0,83	2,38
1,5	2	90L	4,98	6,7	2,4	2,8	0,0021	7	15	23,5	64,0	2880	80,0	82,0	82,0	0,63	0,76	0,83	3,18
2,2	3	100L	7,22	7,5	2,4	3,4	0,0043	15	33	31,0	67,0	2910	82,5	83,6	83,6	0,66	0,78	0,85	4,47
2,2	3	L100L	7,22	7,5	2,4	3,4	0,0043	15	33	31,0	67,0	2910	82,5	83,6	83,6	0,66	0,78	0,85	4,47
3	4	L100L	9,85	8,0	2,5	3,5	0,0064	7	15	35,5	67,0	2910	84,0	85,0	85,0	0,70	0,81	0,86	5,92
5,5	7,5	132M	17,9	6,8	2,2	3,0	0,0197	17	37	68,0	67,0	2930	86,5	88,0	88,0	0,68	0,79	0,85	10,6
7,5	10	132M	24,5	7,0	2,2	2,9	0,0251	9	20	58,2	67,0	2920	88,0	88,5	88,5	0,72	0,82	0,87	14,1
15	20	160L	48,8	7,4	2,6	3,1	0,0517	9	20	130	67,0	2940	91,0	91,3	91,3	0,71	0,81	0,86	27,6
22	30	180L	71,0	7,6	2,9	3,0	0,0975	9	20	164	67,0	2960	91,9	92,4	92,2	0,74	0,83	0,87	39,6
200	270	355M/L	640	7,6	1,9	2,7	3,99	22	48	1650	80,0	2985	94,8	95,5	95,5	0,83	0,88	0,90	336
220	300	355M/L	704	8,5	2,2	3,0	4,42	21	46	1740	80,0	2985	95,1	95,6	95,5	0,86	0,89	0,90	369
250	340	355M/L	800	7,9	1,9	2,7	4,85	20	44	1810	80,0	2985	95,2	95,6	95,6	0,86	0,89	0,91	415
280	380	355M/L	898	7,7	1,9	2,6	5,06	17	37	1870	80,0	2980	95,2	95,6	95,6	0,86	0,89	0,91	465

Notes:

- (1) Efficiency values are given according to IEC 60034-2-1. They are calculated according to indirect method, with stray load losses determined by measurement.
- (2) Fitted with air deflector in the drive end side.

**Ex ec IIC T3 Gc / Ex tc IIIB T125°C Dc**

Output		380 V								415 V							
		Rated speed (rpm)	% of full load						Full load current In (A)	Rated speed (rpm)	% of full load						Full load current In (A)
			Efficiency			Power Factor					Efficiency			Power Factor			
kW	HP	50	75	100	50	75	100	50	75	100	50	75	100	50	75	100	
II pole - 3000 rpm - 50 Hz																	
0,12	0,16	2765	54,7	60,6	60,7	0,57	0,71	0,79	0,380	2805	51,4	59,0	60,6	0,50	0,63	0,72	0,383
0,18	0,25	2810	58,0	63,0	64,0	0,61	0,75	0,83	0,515	2845	55,0	60,9	63,6	0,53	0,66	0,76	0,518
0,25	0,33	2750	60,3	64,1	65,0	0,63	0,76	0,84	0,696	2800	55,9	61,7	64,8	0,53	0,66	0,76	0,706
0,37	0,5	2805	69,0	70,1	70,3	0,66	0,79	0,87	0,900	2845	66,9	69,7	71,2	0,57	0,72	0,82	0,882
0,55	0,75	2770	70,8	71,9	74,1	0,73	0,85	0,91	1,24	2830	68,9	71,7	74,1	0,63	0,79	0,86	1,20
0,75	1	2805	80,5	81,3	79,6	0,70	0,81	0,87	1,65	2845	75,0	78,5	79,5	0,61	0,74	0,83	1,58
1,1	1,5	2800	78,9	79,2	79,6	0,66	0,79	0,85	2,47	2845	77,1	79,5	79,6	0,56	0,70	0,80	2,40
1,5	2	2795	80,5	81,6	81,6	0,68	0,79	0,85	3,29	2850	79,3	81,9	82,5	0,58	0,73	0,81	3,08
2,2	3	2835	83,7	83,5	83,2	0,69	0,80	0,85	4,73	2865	82,2	83,4	83,9	0,55	0,69	0,79	4,62
3	4	2905	84,9	85,0	85,0	0,76	0,85	0,88	6,09	2920	83,1	84,6	85,0	0,66	0,78	0,84	5,85
4	5,5	2875	86,6	86,0	85,8	0,78	0,87	0,90	7,87	2905	85,3	85,9	86,3	0,69	0,80	0,86	7,50
5,5	7,5	2915	87,1	87,6	87,6	0,74	0,83	0,88	10,8	2935	85,6	87,6	88,0	0,63	0,76	0,83	10,5
7,5	10	2910	88,4	88,4	88,1	0,77	0,85	0,89	14,5	2930	87,3	88,3	88,7	0,67	0,79	0,85	13,8
9,2	12,5	2905	89,1	89,0	89,0	0,75	0,85	0,89	17,6	2920	87,6	88,6	89,0	0,65	0,77	0,84	17,1
11	15	2935	90,3	90,5	90,1	0,75	0,85	0,88	21,1	2950	89,6	90,5	90,6	0,67	0,79	0,84	20,1
15	20	2930	91,4	91,3	90,9	0,76	0,84	0,88	28,5	2945	90,6	91,2	91,4	0,67	0,78	0,84	27,2
18,5	25	2935	91,6	91,9	91,6	0,74	0,83	0,88	34,9	2950	91,0	91,9	92,2	0,66	0,77	0,84	33,2
22	30	2950	92,2	92,2	91,8	0,78	0,85	0,88	41,4	2960	91,5	92,4	92,4	0,71	0,80	0,85	39,0
30	40	2955	92,7	92,9	92,6	0,79	0,85	0,88	55,9	2965	92,3	93,0	93,0	0,71	0,81	0,86	52,2
37	50	2960	93,0	93,3	93,0	0,76	0,84	0,87	69,5	2970	92,5	93,4	93,5	0,69	0,79	0,84	65,5
45	60	2955	93,4	93,5	93,2	0,83	0,88	0,90	81,5	2960	93,1	93,6	93,8	0,76	0,84	0,88	75,8
55	75	2950	92,8	93,4	93,5	0,83	0,88	0,90	99,3	2960	92,8	93,5	94,0	0,75	0,84	0,88	92,5
75	100	2970	93,6	94,3	94,1	0,82	0,88	0,89	136	2975	93,2	94,2	94,3	0,76	0,84	0,87	127
90	125	2975	94,2	94,6	94,4	0,81	0,86	0,88	165	2980	93,8	94,5	94,5	0,74	0,82	0,86	154
110	150	2977	94,5	94,9	94,8	0,81	0,87	0,88	200	2981	94,1	94,8	94,9	0,74	0,83	0,86	188
132	175	2975	94,6	95,1	94,9	0,82	0,88	0,90	235	2985	94,4	95,1	95,2	0,77	0,85	0,88	219
132	180	2975	94,6	95,1	94,9	0,83	0,89	0,91	232	2980	94,4	95,1	95,2	0,78	0,86	0,89	217
150	200	2980	94,2	94,8	94,8	0,80	0,87	0,89	270	2980	93,8	94,5	94,8	0,74	0,83	0,87	253
160	220	2975	94,9	95,2	95,2	0,83	0,88	0,90	284	2980	94,7	95,3	95,3	0,78	0,86	0,88	265
185	250	2975	95,0	95,5	95,3	0,83	0,88	0,90	328	2980	94,8	95,5	95,4	0,78	0,85	0,88	307
200	270	2975	95,0	95,4	95,2	0,85	0,89	0,91	351	2980	94,9	95,5	95,5	0,80	0,87	0,90	324
220	300	2975	95,1	95,4	95,3	0,84	0,88	0,91	385	2980	94,9	95,5	95,6	0,79	0,86	0,89	360
250	340	2980	95,1	95,5	95,3	0,86	0,90	0,91	438	2980	95,0	95,6	95,6	0,82	0,88	0,91	400
280	380	2975	95,2	95,5	95,4	0,87	0,90	0,91	490	2980	95,2	95,6	95,7	0,83	0,88	0,91	447
300	400	2980	94,2	95,5	95,4	0,89	0,92	0,92	519	2985	95,2	95,6	95,7	0,86	0,90	0,92	474
315	430	2980	94,2	95,5	95,4	0,89	0,91	0,92	545	2985	95,2	95,6	95,7	0,86	0,90	0,92	498
355	480	2980	95,3	95,5	95,4	0,89	0,91	0,91	621	2985	95,3	95,6	95,7	0,85	0,89	0,91	567
400	550	2985	95,5	95,7	95,7	0,87	0,90	0,91	698	2985	95,5	95,7	95,7	0,84	0,88	0,91	639
450	610	2979	95,0	95,5	95,7	0,87	0,91	0,91	785	2983	95,0	95,5	95,7	0,84	0,89	0,91	719
Optional frames & high output designs																	
0,75	1	2830	77,8	79,1	78,3	0,66	0,77	0,83	1,75	2860	76,0	78,7	79,2	0,56	0,70	0,78	1,69
1,1	1,5	2850	80,7	80,3	79,6	0,67	0,79	0,85	2,47	2880	79,2	80,4	81,0	0,57	0,71	0,80	2,36
1,5	2	2860	80,5	81,6	81,6	0,68	0,79	0,85	3,29	2890	79,3	81,9	82,5	0,58	0,73	0,81	3,12
2,2	3	2900	83,3	83,8	83,2	0,71	0,82	0,87	4,62	2920	81,5	83,2	83,6	0,62	0,75	0,82	4,46
2,2	3	2900	83,3	83,8	83,2	0,71	0,82	0,87	4,62	2920	81,5	83,2	83,6	0,62	0,75	0,82	4,46
3	4	2905	84,9	85,0	85,0	0,76	0,85	0,88	6,09	2920	83,1	84,6	85,0	0,66	0,78	0,84	5,85
5,5	7,5	2915	87,1	87,6	87,6	0,74	0,83	0,88	10,8	2935	85,6	87,6	88,0	0,63	0,76	0,83	10,5
7,5	10	2910	88,4	88,4	88,1	0,77	0,85	0,89	14,5	2930	87,3	88,3	88,7	0,67	0,79	0,85	13,8
15	20	2930	91,4	91,3	90,9	0,76	0,84	0,88	28,5	2945	90,6	91,2	91,4	0,67	0,78	0,84	27,2
22	30	2950	92,2	92,2	91,8	0,78	0,85	0,88	41,4	2960	91,5	92,4	92,4	0,71	0,80	0,85	39,0
200	270	2980	93,9	95,2	95,5	0,90	0,91	0,92	346	2985	93,5	95,1	95,6	0,88	0,90	0,91	320
220	300	2985	95,1	95,2	95,4	0,87	0,91	0,92	381	2990	95,1	95,3	95,6	0,83	0,89	0,91	352
250	340	2980	95,5	96,3	96,4	0,89	0,92	0,93	424	2985	95,4	96,3	96,4	0,86	0,91	0,92	392
280	380	2975	95,2	95,5	95,4	0,87	0,90	0,91	490	2980	95,2	95,6	95,7	0,83	0,88	0,91	447



**W22Xec - High Efficiency - IE2 <sup>(1)</sup>**

Output		Frame	Full Load Torque (Nm)	Locked Rotor Current I/In	Locked Rotor Torque Tl/Tn	Break-down Torque Tb/Tn	Inertia J (kgm <sup>2</sup> )	Allowable locked rotor time (s)		Weight (kg)	Sound dB(A)	400 V							
								Hot	Cold			Efficiency			Power Factor			Full load current In (A)	
												50	75	100	50	75	100		
1V pole - 1500 rpm - 50 Hz																			
0,12	0,16	63	0,830	3,9	1,8	2,0	0,0004	51	112	7,7	44,0	1380	55,0	58,0	59,1	0,54	0,67	0,77	0,381
0,18	0,25	63	1,22	4,4	2,0	2,2	0,0006	40	88	7,6	44,0	1410	58,5	61,0	64,7	0,48	0,61	0,70	0,574
0,25	0,33	71	1,69	4,5	2,0	2,2	0,0007	68	150	10,7	43,0	1410	59,0	65,0	68,5	0,49	0,62	0,71	0,742
0,37	0,5	71	2,55	4,3	2,2	2,2	0,0008	48	106	11,9	43,0	1385	63,0	68,0	72,7	0,50	0,62	0,72	1,02
0,55	0,75	80	3,65	5,8	2,1	2,6	0,0029	18	40	16,2	44,0	1440	73,0	76,0	77,1	0,55	0,68	0,75	1,37
0,75	1	80	5,08	6,0	2,5	2,6	0,0029	15	33	15,7	44,0	1410	79,0	79,5	79,6	0,63	0,76	0,81	1,68
1,1	1,5	90S	7,27	6,5	2,3	2,7	0,0049	14	31	20,4	49,0	1445	81,0	81,8	81,8	0,60	0,72	0,80	2,43
1,5	2	90L	9,92	7,0	2,7	2,8	0,0055	10	22	23,0	49,0	1445	81,5	83,0	83,0	0,57	0,71	0,80	3,26
2,2	3	100L	14,6	7,0	2,8	2,9	0,0105	11	24	34,6	53,0	1440	83,0	84,5	84,5	0,55	0,69	0,78	4,82
3	4	100L	20,2	7,0	3,2	3,0	0,0097	14	31	34,0	53,0	1420	85,0	85,6	85,6	0,60	0,73	0,81	6,25
4	5,5	112M	26,5	6,6	2,2	2,6	0,0156	13	29	42,5	56,0	1440	86,0	86,7	86,7	0,62	0,74	0,80	8,32
5,5	7,5	132S	35,9	7,8	1,9	3,0	0,0528	8	18	66,0	56,0	1465	86,5	87,3	87,7	0,68	0,80	0,86	10,5
7,5	10	132M	48,9	7,8	2,1	3,0	0,0528	6	13	72,6	56,0	1465	88,0	88,7	88,7	0,66	0,79	0,84	14,5
9,2	12,5	160M	60,0	6,0	2,0	2,6	0,0838	13	29	96,0	61,0	1465	88,5	89,5	89,3	0,66	0,77	0,83	17,9
11	15	160M	71,5	6,4	2,3	2,8	0,1048	10	22	119	61,0	1470	89,0	90,2	90,2	0,65	0,76	0,83	21,2
15	20	160L	97,8	6,2	2,3	2,8	0,1255	10	22	141	61,0	1465	90,6	91,0	91,0	0,66	0,76	0,83	28,7
18,5	25	180M	121	6,6	2,4	2,8	0,1657	14	31	164	61,0	1465	91,5	91,8	91,6	0,68	0,78	0,83	35,1
22	30	180L	143	6,8	2,6	2,9	0,2006	15	33	190	61,0	1470	92,2	92,5	92,3	0,70	0,80	0,85	40,5
30	40	200L	195	6,3	2,2	2,6	0,2929	16	35	222	65,0	1470	92,6	93,0	92,8	0,64	0,75	0,81	57,6
37	50	225S/M	240	7,0	2,2	2,7	0,4438	12	26	342	68,0	1475	93,0	93,2	93,2	0,72	0,81	0,85	67,4
45	60	225S/M	292	7,0	2,6	2,9	0,5177	10	22	363	68,0	1475	92,8	93,0	93,1	0,72	0,81	0,84	83,1
55	75	250S/M	356	6,4	2,2	2,7	0,8118	14	31	444	68,0	1475	93,6	93,9	94,0	0,75	0,84	0,87	97,1
75	100	280S/M	483	7,2	2,2	2,7	1,64	22	48	639	71,0	1485	93,8	94,4	94,4	0,74	0,82	0,84	137
90	125	280S/M	579	7,5	2,3	2,7	1,88	20	44	673	71,0	1484	94,1	94,7	94,7	0,76	0,83	0,85	161
110	150	315S/M	706	6,3	2,0	2,3	2,57	26	57	887	71,0	1489	94,3	95,0	95,0	0,74	0,83	0,86	194
132	175	315S/M	846	7,0	2,3	2,5	3,12	22	48	953	71,0	1490	94,6	95,2	95,2	0,76	0,84	0,87	230
132	180	315S/M	846	6,6	2,1	2,4	3,12	22	48	953	71,0	1490	94,6	95,2	95,2	0,76	0,84	0,87	230
150	200	315S/M	963	6,2	2,2	2,4	3,34	30	66	983	71,0	1488	95,0	95,4	95,4	0,77	0,84	0,87	261
160	220	315S/M	1027	7,0	2,4	2,5	3,56	20	44	1012	71,0	1489	94,8	95,4	95,4	0,74	0,83	0,86	281
185	250	315S/M	1187	7,0	2,6	2,6	3,99	18	40	1114	71,0	1489	94,9	95,6	95,6	0,75	0,83	0,86	325
200	270	315L	1283	7,0	2,7	2,7	4,43	17	37	1216	74,0	1490	95,0	95,6	95,6	0,74	0,82	0,86	351
220	300	315L	1411	7,3	2,6	2,4	4,89	14	31	1333	74,0	1490	95,2	95,7	95,7	0,76	0,84	0,87	381
250	340	315L	1603	7,0	2,6	2,4	5,44	13	29	1399	74,0	1490	95,3	95,7	95,7	0,77	0,85	0,88	428
260	350	355M/L	1667	6,8	2,1	2,4	7,73	18	40	1470	76,0	1490	95,4	95,8	95,8	0,73	0,82	0,85	461
280	380	315L	1796	7,2	2,6	2,4	6,20	12	26	1496	74,0	1490	95,4	95,8	95,8	0,76	0,84	0,87	485
300	400	355M/L	1925	6,8	2,1	2,4	8,59	18	40	1510	76,0	1489	95,5	95,8	95,8	0,74	0,82	0,85	532
315	430	355M/L	2020	7,2	2,5	2,8	8,95	14	31	1643	76,0	1490	95,5	95,8	95,8	0,72	0,81	0,84	565
330	450	355M/L	2115	6,8	2,6	2,5	9,84	17	37	1769	76,0	1491	95,5	95,8	95,8	0,73	0,81	0,84	592
355	480	355M/L <sup>(2)</sup>	2277	6,9	2,4	2,3	10,7	15	33	1752	76,0	1490	95,5	95,9	95,8	0,75	0,83	0,86	622
370	500	355M/L <sup>(2)</sup>	2373	7,0	2,4	2,4	11,6	15	33	1971	76,0	1490	95,5	95,9	95,8	0,75	0,83	0,86	648
400	550	355M/L <sup>(2)</sup>	2562	7,8	2,9	2,9	11,6	11	24	1888	76,0	1492	95,5	95,9	95,8	0,74	0,82	0,85	709
450	610	355A/B <sup>(2)</sup>	2886	7,4	2,5	2,8	13,2	20	44	2089	76,0	1490	94,5	95,0	95,5	0,69	0,80	0,84	810
Optional frames & high output designs																			
0,25	0,33	80	1,67	5,5	2,0	2,5	0,0015	31	68	9,0	44,0	1430	70,0	73,3	73,4	0,59	0,71	0,80	0,615
0,37	0,5	80	2,49	5,7	2,2	2,7	0,0019	23	51	9,5	44,0	1420	73,0	75,5	75,5	0,60	0,73	0,81	0,873
0,75	1	90S	4,96	6,2	2,2	2,6	0,0038	19	42	18,0	49,0	1445	78,0	80,0	80,0	0,59	0,70	0,78	1,73
1,1	1,5	90L	7,22	6,3	2,1	2,7	0,0060	9	20	23,0	49,0	1455	80,0	81,8	81,8	0,51	0,66	0,76	2,55
1,5	2	100L	10,1	6,6	2,8	3,0	0,0067	20	44	28,0	53,0	1425	82,5	83,2	83,2	0,62	0,74	0,81	3,21
2,2	3	112M	14,4	7,4	1,9	3,0	0,0117	23	51	39,0	56,0	1460	84,5	85,0	85,0	0,57	0,70	0,78	4,79
4	5,5	132M	25,9	8,0	2,0	3,4	0,0341	14	31	60,0	56,0	1475	86,5	87,0	87,2	0,58	0,72	0,80	8,28
4	5,5	132S	25,9	8,0	2,0	3,4	0,0341	14	31	60,0	56,0	1475	86,5	87,0	87,2	0,58	0,72	0,80	8,28
5,5	7,5	132M	35,9	7,8	1,9	3,0	0,0528	8	18	67,0	56,0	1465	86,5	87,3	87,7	0,68	0,80	0,86	10,5
7,5	10	160M	48,9	6,1	2,1	2,7	0,0769	15	33	93,0	61,0	1465	88,0	89,2	89,0	0,65	0,77	0,83	14,7
9,2	12,5	132M	60,4	7,7	2,2	3,2	0,0604	7	15	75,0	56,0	1455	89,2	89,5	89,5	0,69	0,80	0,85	17,3
11	15	160L	71,5	6,4	2,3	2,8	0,1048	10	22	105	61,0	1470	89,0	90,2	90,2	0,65	0,76	0,83	21,2
15	20	180M	97,8	7,1	2,6	2,9	0,1401	14	31	152	61,0	1465	90,8	91,5	91,3	0,66	0,77	0,83	28,6
18,5	25	180L	121	6,6	2,4	2,8	0,1657	14	31	164	61,0	1465	91,5	91,8	91,6	0,68	0,78	0,83	35,1
90	125	315S/M	577	6,4	2,1	2,4	2,23	25	55	795	71,0	1490	94,2	94,8	94,8	0,73	0,82	0,85	161
110	150	280S/M	708	7,6	2,4	2,6	2,27	18	40	735	71,0	1485	94,3	95,0	95,0	0,75	0,83	0,86	194
200	270	355M/L	1283	6,3	1,8	2,0	5,94	18	40	1404	76,0	1490	95,1	95,6	95,6	0,74	0,81	0,85	355
220	300	355M/L	1411	6,4	2,0	2,2	6,48	18	40	1441	76,0	1490	95,3	95,7	95,7	0,73	0,81	0,85	390
250	340	355M/L	1603	6,8	2,1	2,4	7,19	18	40	1470	76,0	1490	95,4	95,8	95,8	0,73	0,82	0,85	443
280	380	355M/L	1796	6,6	2,1	2,4	8,05	14	31	1510	76,0	1490	95,5	95,8	95,8	0,74	0,82	0,85	496
400	550	355A/B <sup>(2)</sup>	2565	7,6	2,6	2,9	13,2	20	44	2089	76,0	1490	94,5	95,0	95,5	0,68	0,79	0,84	720

Notes:

- (1) Efficiency values are given according to IEC 60034-2-1. They are calculated according to indirect method, with stray load losses determined by measurement.
- (2) Fitted with air deflector in the drive end side.

**Ex ec IIC T3 Gc / Ex tc IIIB T125°C Dc**

Output		380 V									415 V								
		Rated speed (rpm)	% of full load						Full load current In (A)	Rated speed (rpm)	% of full load						Full load current In (A)		
			Efficiency			Power Factor					Efficiency			Power Factor					
kW	HP	50	75	100	50	75	100	50	75	100	50	75	100	50	75	100			
IV pole - 1500 rpm - 50 Hz																			
0,12	0,16	1360	56,8	58,7	59,1	0,58	0,71	0,80	0,386	1390	53,2	57,1	59,1	0,51	0,64	0,74	0,382		
0,18	0,25	1400	60,4	61,3	64,7	0,52	0,65	0,74	0,571	1415	57,7	60,6	64,7	0,48	0,58	0,68	0,569		
0,25	0,33	1400	60,0	65,0	68,5	0,53	0,66	0,74	0,749	1420	57,8	64,5	68,5	0,46	0,59	0,69	0,736		
0,37	0,5	1370	66,0	68,5	72,7	0,55	0,66	0,76	1,02	1400	63,0	68,0	72,7	0,46	0,58	0,69	1,03		
0,55	0,75	1430	75,0	76,5	77,1	0,60	0,72	0,78	1,39	1445	71,0	75,5	77,1	0,51	0,60	0,70	1,42		
0,75	1	1395	79,0	79,5	79,6	0,68	0,80	0,84	1,70	1415	77,9	79,2	79,9	0,60	0,73	0,79	1,65		
1,1	1,5	1435	81,9	81,8	81,5	0,65	0,76	0,82	2,50	1450	80,1	81,5	82,1	0,57	0,70	0,78	2,39		
1,5	2	1435	82,8	83,2	82,8	0,63	0,77	0,83	3,32	1450	80,1	82,3	83,1	0,53	0,68	0,78	3,22		
2,2	3	1430	83,5	84,3	84,3	0,59	0,73	0,81	4,90	1445	82,3	84,5	84,7	0,52	0,66	0,75	4,82		
3	4	1410	85,4	85,5	85,5	0,65	0,77	0,83	6,42	1430	84,3	85,5	86,0	0,56	0,70	0,78	6,22		
4	5,5	1430	86,5	86,6	86,6	0,67	0,78	0,82	8,56	1445	85,3	86,6	87,0	0,58	0,71	0,78	8,20		
5,5	7,5	1460	88,1	87,7	87,7	0,73	0,83	0,88	10,8	1470	86,5	87,3	87,7	0,65	0,77	0,84	10,4		
7,5	10	1460	88,4	88,7	88,7	0,73	0,83	0,87	14,8	1465	87,7	89,0	89,0	0,61	0,75	0,81	14,5		
9,2	12,5	1460	89,0	89,5	89,3	0,70	0,80	0,85	18,5	1470	88,0	89,4	89,3	0,62	0,74	0,81	17,7		
11	15	1465	89,5	90,2	89,8	0,69	0,79	0,85	21,9	1470	88,5	90,0	90,3	0,61	0,73	0,81	20,9		
15	20	1460	91,0	90,9	90,6	0,70	0,79	0,85	29,6	1470	90,2	90,9	91,2	0,63	0,73	0,81	28,2		
18,5	25	1460	91,8	91,7	91,2	0,72	0,81	0,85	36,3	1470	91,1	91,7	91,7	0,60	0,75	0,81	34,7		
22	30	1465	92,5	92,4	91,9	0,74	0,83	0,87	41,8	1470	91,8	92,4	92,4	0,66	0,77	0,83	39,9		
30	40	1465	92,9	92,9	92,4	0,68	0,78	0,83	59,4	1470	92,3	92,9	92,9	0,61	0,73	0,79	56,9		
37	50	1470	93,2	93,1	92,8	0,76	0,84	0,86	70,4	1475	92,7	93,1	93,3	0,69	0,80	0,84	65,7		
45	60	1470	92,8	93,0	93,1	0,76	0,84	0,86	85,4	1480	92,8	93,0	93,1	0,68	0,79	0,82	82,0		
55	75	1470	93,8	93,8	93,7	0,79	0,86	0,88	101	1475	93,3	93,9	94,1	0,72	0,82	0,86	94,6		
75	100	1480	93,8	94,0	94,2	0,78	0,84	0,86	141	1485	93,5	94,3	94,4	0,71	0,80	0,83	133		
90	125	1482	94,4	94,7	94,5	0,79	0,85	0,86	168	1486	93,8	94,6	94,7	0,73	0,81	0,84	157		
110	150	1487	94,6	94,9	94,9	0,78	0,85	0,86	205	1490	93,9	94,8	95,0	0,70	0,81	0,84	192		
132	175	1488	94,8	95,2	95,0	0,79	0,86	0,88	240	1491	94,4	95,1	95,2	0,73	0,82	0,86	224		
132	180	1485	94,8	95,2	95,0	0,79	0,86	0,88	240	1490	94,4	95,1	95,2	0,73	0,82	0,86	224		
150	200	1486	95,2	95,4	95,2	0,80	0,85	0,88	272	1489	94,8	95,4	95,4	0,75	0,83	0,86	254		
160	220	1488	95,0	95,4	95,2	0,78	0,85	0,87	294	1490	94,6	95,3	95,4	0,71	0,81	0,85	275		
185	250	1488	95,1	95,6	95,5	0,79	0,85	0,87	338	1490	94,7	95,5	95,6	0,72	0,81	0,85	317		
200	270	1488	95,1	95,5	95,4	0,78	0,85	0,87	366	1491	94,8	95,6	95,7	0,70	0,80	0,85	342		
220	300	1488	95,4	95,7	95,6	0,80	0,86	0,88	397	1490	95,0	95,6	95,7	0,73	0,82	0,86	372		
250	340	1490	95,5	95,9	95,8	0,80	0,87	0,89	445	1490	95,1	95,8	95,9	0,74	0,83	0,87	417		
260	350	1490	95,6	95,7	95,7	0,77	0,84	0,86	480	1490	94,2	95,7	95,8	0,70	0,80	0,84	449		
280	380	1490	95,6	95,8	95,8	0,79	0,86	0,88	505	1490	95,2	95,7	95,8	0,73	0,82	0,86	473		
300	400	1487	95,6	95,6	95,7	0,78	0,84	0,88	541	1490	95,3	95,7	95,8	0,71	0,80	0,84	519		
315	430	1490	95,6	95,7	95,7	0,75	0,81	0,86	582	1490	95,3	95,7	95,8	0,69	0,79	0,83	551		
330	450	1489	95,5	95,7	95,7	0,72	0,77	0,83	631	1492	95,3	95,7	95,8	0,70	0,79	0,83	577		
355	480	1490	95,6	95,7	95,7	0,78	0,85	0,87	648	1490	95,4	95,8	95,8	0,72	0,81	0,85	607		
370	500	1490	95,1	95,5	95,7	0,78	0,85	0,87	675	1490	95,0	95,7	95,9	0,72	0,81	0,85	631		
400	550	1491	95,7	95,8	95,8	0,77	0,84	0,86	738	1493	95,3	95,8	95,8	0,71	0,80	0,84	692		
450	610	1490	95,8	95,9	95,9	0,73	0,83	0,86	829	1490	94,5	95,0	95,5	0,65	0,77	0,82	799		
Optional frames & high output designs																			
0,25	0,33	1420	71,0	74,0	73,2	0,62	0,74	0,82	0,633	1435	69,1	73,3	73,4	0,57	0,69	0,78	0,607		
0,37	0,5	1410	74,1	75,6	74,8	0,65	0,77	0,84	0,895	1425	71,7	75,1	75,8	0,57	0,70	0,79	0,860		
0,75	1	1440	79,1	79,9	79,6	0,62	0,73	0,81	1,77	1450	76,9	79,6	80,4	0,55	0,67	0,75	1,73		
1,1	1,5	1450	80,9	81,5	81,5	0,56	0,70	0,79	2,60	1460	79,2	81,5	81,8	0,48	0,62	0,73	2,56		
1,5	2	1415	82,5	82,8	82,8	0,66	0,77	0,83	3,34	1430	81,9	83,2	83,7	0,58	0,71	0,79	3,16		
2,2	3	1455	85,0	84,8	84,3	0,62	0,75	0,81	4,90	1465	83,9	84,9	85,4	0,54	0,67	0,76	4,72		
4	5,5	1470	86,0	86,5	86,6	0,63	0,76	0,83	8,46	1475	86,4	87,1	87,4	0,54	0,68	0,78	8,16		
4	5,5	1470	86,0	86,5	86,6	0,63	0,76	0,83	8,46	1475	86,4	87,1	87,4	0,54	0,68	0,78	8,16		
5,5	7,5	1460	88,1	87,7	87,7	0,73	0,83	0,88	10,8	1470	86,5	87,3	87,7	0,65	0,77	0,84	10,4		
7,5	10	1460	88,5	89,1	88,7	0,69	0,80	0,85	15,1	1470	87,5	89,0	89,1	0,61	0,74	0,81	14,5		
9,2	12,5	1450	89,6	89,4	89,3	0,74	0,82	0,87	17,8	1455	88,7	89,5	89,8	0,65	0,77	0,84	16,8		
11	15	1465	89,5	90,2	89,8	0,69	0,79	0,85	21,9	1470	88,5	90,0	90,3	0,61	0,73	0,81	20,9		
15	20	1460	91,3	91,5	91,0	0,71	0,80	0,85	29,5	1470	90,4	91,4	91,4	0,63	0,74	0,81	28,2		
18,5	25	1460	91,8	91,7	91,2	0,72	0,81	0,85	36,3	1470	91,1	91,7	91,7	0,60	0,75	0,81	34,7		
90	125	1490	94,2	94,8	94,8	0,75	0,84	0,86	168	1490	93,9	94,7	94,8	0,71	0,81	0,84	157		
110	150	1480	94,6	95,1	94,9	0,79	0,85	0,87	202	1485	94,0	94,9	95,0	0,72	0,81	0,85	190		
200	270	1490	95,3	95,5	95,5	0,78	0,83	0,86	370	1490	94,9	95,5	95,6	0,71	0,79	0,84	346		
220	300	1490	95,5	95,6	95,6	0,77	0,83	0,86	407	1490	95,0	95,6	95,7	0,70	0,79	0,84	381		
250	340	1490	95,6	95,7	95,7	0,77	0,84	0,86	462	1490	94,2	95,7	95,8	0,70	0,80	0,84	432		
280	380	1490	95,6	95,7	95,7	0,77	0,84	0,86	517	1490	95,3	95,7	95,8	0,71	0,80	0,84	484		
400	550	1490	94,1	94,6	95,1	0,72	0,82	0,86	743	1490	94,1	94,6	95,1	0,65	0,76	0,82	714		

**W22Xec - High Efficiency - IE2 <sup>(1)</sup>**

Output		Frame	Full Load Torque (Nm)	Locked Rotor Current I/In	Locked Rotor Torque Tl/Tn	Break-down Torque Tb/Tn	Inertia J (kgm <sup>2</sup> )	Allowable locked rotor time (s)		Weight (kg)	Sound dB(A)	400 V						Full load current In (A)	
								Hot	Cold			% of full load			Power Factor				
												50	75	100	50	75	100		
VI pole - 1000 rpm - 50 Hz																			
0,12	0,16	63	1,27	3,0	1,9	2,0	0,0006	52	114	7,4	43,0	905	42,0	50,0	52,0	0,43	0,53	0,63	0,529
0,18	0,25	71	1,88	3,2	2,0	2,0	0,0008	96	211	10,5	43,0	915	52,0	58,0	59,0	0,40	0,51	0,58	0,759
0,25	0,33	71	2,68	3,0	1,9	2,1	0,0008	70	154	12,5	43,0	890	53,0	60,0	61,6	0,37	0,48	0,58	1,01
0,37	0,5	80	3,84	4,1	2,0	2,0	0,0022	27	59	14,0	43,0	920	65,0	67,0	67,6	0,47	0,62	0,72	1,10
0,55	0,75	80	5,71	4,5	2,3	2,2	0,0030	21	46	14,0	43,0	920	65,0	71,0	73,1	0,50	0,62	0,72	1,51
0,75	1	90S	7,71	4,5	2,0	2,1	0,0055	23	51	19,0	45,0	930	74,5	76,0	76,0	0,51	0,64	0,73	1,95
1,1	1,5	90L	11,2	5,0	2,3	2,2	0,0066	17	37	23,0	45,0	935	76,0	78,1	78,1	0,50	0,63	0,73	2,78
1,5	2	100L	15,3	5,0	2,2	2,4	0,0110	23	51	28,5	44,0	940	79,5	80,0	80,0	0,51	0,64	0,73	3,71
2,2	3	112M	22,0	6,0	2,5	2,6	0,0257	19	42	46,0	49,0	955	81,0	82,5	83,0	0,50	0,63	0,71	5,39
3	4	132S	29,7	5,7	2,0	2,4	0,0359	23	51	60,0	53,0	965	82,5	83,6	83,6	0,50	0,63	0,71	7,30
4	5,5	132M	39,6	6,0	2,0	2,3	0,0453	21	46	68,0	53,0	965	84,0	84,8	84,8	0,51	0,64	0,72	9,46
5,5	7,5	132M	54,5	6,4	2,5	2,8	0,0604	19	42	75,0	53,0	965	85,5	86,1	86,1	0,51	0,64	0,72	12,8
7,5	10	160M	73,9	5,8	2,0	2,6	0,1229	17	37	113	57,0	970	88,3	88,7	88,3	0,64	0,76	0,82	15,0
9,2	12,5	160L	90,6	6,0	2,2	2,6	0,1492	14	31	127	57,0	970	88,5	88,9	88,6	0,64	0,76	0,82	18,3
11	15	160L	108	6,0	2,3	2,7	0,1664	13	29	136	57,0	970	89,0	89,5	89,2	0,62	0,74	0,81	22,0
15	20	180L	147	7,5	2,5	3,0	0,2565	7	15	174	56,0	975	90,3	90,5	90,3	0,69	0,79	0,84	28,5
18,5	25	200L	181	5,7	2,1	2,5	0,3517	15	33	214	60,0	975	91,0	91,4	91,2	0,67	0,77	0,82	35,7
22	30	200L	216	6,0	2,2	2,7	0,4037	14	31	225	60,0	975	91,4	91,7	91,5	0,65	0,76	0,82	42,3
30	40	225S/M	291	7,0	2,3	2,5	0,7192	12	26	359	63,0	984	92,6	92,7	92,6	0,69	0,79	0,84	55,7
37	50	250S/M	361	6,7	2,2	2,5	1,10	16	35	438	64,0	980	92,8	93,0	93,0	0,73	0,82	0,86	66,8
45	60	280S/M	436	6,2	2,0	2,5	2,02	26	57	596	65,0	987	93,4	93,6	93,4	0,65	0,76	0,81	85,9
55	75	280S/M	532	6,5	2,0	2,4	2,36	22	48	629	65,0	987	93,6	93,9	93,8	0,68	0,79	0,82	103
75	100	315S/M	724	6,2	1,9	2,2	3,83	23	51	837	67,0	990	94,0	94,3	94,2	0,69	0,79	0,83	138
90	125	315S/M	869	6,0	1,9	2,1	4,54	22	48	893	67,0	990	94,4	94,6	94,5	0,72	0,80	0,84	164
110	150	315S/M	1062	6,1	2,0	2,2	5,45	20	44	966	67,0	990	94,5	94,9	94,8	0,72	0,80	0,84	199
132	175	315S/M	1274	6,4	2,2	2,4	6,35	17	37	1036	67,0	990	94,6	95,0	95,0	0,71	0,80	0,84	239
150	200	355M/L	1440	5,6	1,8	2,0	7,41	38	84	1340	73,0	995	94,2	94,5	95,0	0,64	0,74	0,79	290
160	220	315L	1544	6,6	2,2	2,4	7,61	14	31	1228	68,0	990	94,8	95,2	95,2	0,70	0,80	0,84	289
185	250	315L	1786	6,9	2,3	2,4	8,86	12	26	1358	68,0	990	95,0	95,4	95,4	0,69	0,79	0,83	337
200	270	315L	1926	7,7	2,7	3,0	10,1	12	26	1488	68,0	992	95,1	95,4	95,4	0,65	0,77	0,82	369
220	300	315L	2123	6,8	2,3	2,3	11,0	14	31	1621	68,0	990	95,2	95,5	95,5	0,69	0,79	0,83	401
250	340	355M/L	2413	6,0	2,0	2,2	13,9	34	75	1789	73,0	990	95,3	95,5	95,5	0,66	0,76	0,81	466
260	350	355M/L	2504	6,0	1,8	2,0	12,7	34	75	1789	73,0	992	95,3	95,5	95,5	0,66	0,76	0,81	485
280	380	355M/L	2702	6,2	2,2	2,2	13,9	27	59	1884	73,0	990	95,4	95,6	95,6	0,64	0,75	0,80	528
300	400	355M/L	2887	6,2	2,2	2,2	14,3	30	66	1900	73,0	993	95,4	95,7	95,6	0,63	0,74	0,79	573
315	430	355M/L <sup>(2)</sup>	3034	6,2	2,1	2,2	15,0	28	62	1979	73,0	992	95,4	95,7	95,6	0,66	0,76	0,81	587
355	480	355A/B <sup>(2)</sup>	3416	6,8	2,3	2,5	17,1	29	64	2200	73,0	993	95,2	95,5	95,6	0,63	0,74	0,79	678
Optional frames & high output designs																			
0,25	0,33	80	2,62	3,9	1,8	2,0	0,0022	27	59	10,5	43,0	910	63,0	67,0	67,0	0,51	0,66	0,76	0,709
3	4	132M	29,7	5,7	2,0	2,4	0,0359	23	51	60,0	53,0	965	82,5	83,6	83,6	0,50	0,63	0,71	7,30
5,5	7,5	160M	54,2	6,0	2,1	2,6	0,1053	19	42	106	57,0	970	87,5	88,0	87,5	0,63	0,75	0,81	11,2
160	220	355M/L	1540	5,9	1,8	2,2	8,34	34	75	1453	73,0	993	94,9	95,3	95,3	0,65	0,75	0,80	303
185	250	355M/L	1786	5,7	1,9	2,0	9,24	32	70	1521	73,0	990	95,1	95,4	95,4	0,65	0,75	0,80	350
200	270	355M/L	1924	5,5	1,9	2,1	10,9	28	62	1643	73,0	993	95,1	95,5	95,5	0,64	0,75	0,80	378
220	300	355M/L	2123	6,0	2,0	2,3	11,8	32	70	1795	73,0	990	95,3	95,5	95,5	0,65	0,75	0,80	416

Notes:

- (1) Efficiency values are given according to IEC 60034-2-1. They are calculated according to indirect method, with stray load losses determined by measurement.
- (2) Fitted with air deflector in the drive end side.



**Ex ec IIC T3 Gc / Ex tc IIIB T125°C Dc**

Output		380 V								415 V							
		Rated speed (rpm)	% of full load						Full load current In (A)	Rated speed (rpm)	% of full load						Full load current In (A)
			Efficiency			Power Factor					Efficiency			Power Factor			
kW	HP	50	75	100	50	75	100		50	75	100	50	75	100			
VI pole - 1000 rpm - 50 Hz																	
0,12	0,16	895	45,4	52,1	52,9	0,46	0,57	0,67	0,514	910	39,1	47,5	50,7	0,41	0,50	0,59	0,558
0,18	0,25	905	54,2	59,0	58,7	0,37	0,50	0,57	0,817	920	50,1	56,8	58,6	0,38	0,48	0,57	0,750
0,25	0,33	875	56,3	60,0	61,6	0,41	0,52	0,62	0,995	900	50,1	60,0	61,6	0,35	0,45	0,54	1,05
0,37	0,5	910	64,0	67,0	67,6	0,52	0,66	0,76	1,09	930	62,0	67,0	67,6	0,44	0,58	0,69	1,10
0,55	0,75	905	67,5	71,8	73,1	0,55	0,66	0,76	1,50	930	62,5	69,6	73,1	0,47	0,60	0,70	1,50
0,75	1	920	75,8	75,9	75,9	0,55	0,68	0,76	1,98	935	73,2	75,6	76,4	0,48	0,61	0,71	1,92
1,1	1,5	920	77,9	78,1	78,1	0,55	0,67	0,77	2,78	940	74,3	77,3	78,1	0,46	0,59	0,70	2,80
1,5	2	930	80,7	80,1	79,8	0,55	0,69	0,76	3,76	945	78,3	79,7	80,3	0,48	0,61	0,70	3,71
2,2	3	945	82,0	82,4	82,8	0,54	0,67	0,74	5,46	960	80,0	82,1	83,0	0,47	0,60	0,69	5,34
3	4	960	83,4	83,8	83,3	0,54	0,67	0,74	7,39	970	81,4	83,1	83,6	0,46	0,59	0,68	7,34
4	5,5	960	84,9	85,0	84,6	0,55	0,68	0,74	9,71	970	83,0	84,4	84,9	0,47	0,61	0,69	9,50
5,5	7,5	960	86,4	86,3	86,0	0,56	0,68	0,75	13,0	970	84,6	85,7	86,2	0,47	0,61	0,69	12,9
7,5	10	965	88,7	88,6	87,7	0,68	0,79	0,84	15,5	970	87,8	88,6	88,5	0,61	0,73	0,80	14,7
9,2	12,5	965	88,9	88,8	88,1	0,68	0,79	0,84	18,9	970	88,0	88,8	88,8	0,61	0,73	0,80	18,0
11	15	965	89,6	89,5	88,8	0,66	0,77	0,83	22,7	970	88,4	89,3	89,3	0,59	0,71	0,79	21,7
15	20	970	90,6	90,4	89,7	0,70	0,80	0,85	29,9	978	89,9	90,5	90,6	0,65	0,77	0,83	27,8
18,5	25	970	91,5	91,4	90,8	0,71	0,80	0,84	36,9	975	90,5	91,2	91,3	0,63	0,74	0,80	35,2
22	30	970	92,0	91,8	91,2	0,70	0,79	0,84	43,6	975	90,8	91,5	91,6	0,61	0,73	0,80	41,8
30	40	981	92,8	92,5	92,1	0,73	0,81	0,85	58,2	985	92,2	92,6	92,7	0,66	0,77	0,82	54,9
37	50	980	92,4	92,6	92,6	0,77	0,84	0,87	69,8	980	92,7	93,2	93,2	0,70	0,80	0,85	65,0
45	60	986	93,7	93,6	93,1	0,69	0,79	0,82	89,6	988	93,1	93,5	93,5	0,62	0,74	0,79	84,8
55	75	985	93,8	93,8	93,5	0,72	0,82	0,84	106	988	93,3	93,6	93,9	0,65	0,77	0,81	101
75	100	990	94,3	94,3	94,0	0,73	0,82	0,84	144	990	93,7	94,2	94,2	0,66	0,77	0,81	137
90	125	990	94,6	94,5	94,2	0,76	0,82	0,85	171	990	94,2	94,5	94,6	0,69	0,78	0,83	159
110	150	990	94,7	94,9	94,5	0,76	0,82	0,85	208	990	94,2	94,8	94,9	0,69	0,78	0,83	194
132	175	990	94,9	95,0	94,8	0,75	0,83	0,85	249	990	94,3	94,9	95,0	0,68	0,78	0,83	233
150	200	990	94,5	94,8	94,8	0,69	0,77	0,82	293	995	93,8	94,4	95,0	0,61	0,71	0,76	291
160	220	990	95,0	95,2	95,0	0,74	0,82	0,85	301	990	94,5	95,1	95,2	0,67	0,78	0,83	282
185	250	990	95,2	95,4	95,2	0,73	0,82	0,84	351	990	94,7	95,3	95,4	0,66	0,77	0,81	333
200	270	991	95,3	95,4	95,2	0,69	0,80	0,84	380	993	94,8	95,3	95,4	0,62	0,74	0,80	365
220	300	985	95,3	95,4	95,2	0,73	0,81	0,84	418	990	95,0	95,5	95,6	0,66	0,77	0,82	390
250	340	990	95,5	95,5	95,4	0,70	0,79	0,83	480	990	95,1	95,4	95,5	0,62	0,73	0,79	461
260	350	990	95,5	95,5	95,4	0,70	0,79	0,83	499	993	95,1	95,4	95,5	0,62	0,73	0,79	479
280	380	990	95,6	95,6	95,5	0,68	0,78	0,82	543	990	95,2	95,5	95,6	0,61	0,72	0,78	522
300	400	993	95,7	95,7	95,5	0,65	0,75	0,80	597	994	95,2	95,6	95,6	0,60	0,70	0,77	567
315	430	991	95,6	95,7	95,5	0,70	0,79	0,83	604	993	95,2	95,6	95,6	0,62	0,73	0,79	580
355	480	992	95,2	95,4	95,5	0,67	0,76	0,80	706	994	94,7	95,3	95,4	0,62	0,73	0,79	655
Optional frames & high output designs																	
0,25	0,33	895	65,2	67,7	66,0	0,56	0,70	0,80	0,719	915	60,5	65,9	67,1	0,48	0,62	0,73	0,710
3	4	960	83,4	83,8	83,3	0,54	0,67	0,74	7,39	970	81,4	83,1	83,6	0,46	0,59	0,68	7,34
5,5	7,5	965	87,9	87,9	86,9	0,67	0,78	0,83	11,6	970	87,0	87,9	87,8	0,60	0,73	0,79	11,0
160	220	992	94,5	95,4	95,4	0,70	0,80	0,82	311	993	93,9	95,5	95,5	0,60	0,74	0,80	291
185	250	990	94,4	95,3	95,3	0,70	0,79	0,82	360	990	94,0	95,4	95,4	0,60	0,71	0,78	346
200	270	992	95,0	95,6	95,7	0,70	0,79	0,82	387	993	94,4	95,4	95,7	0,62	0,73	0,79	368
220	300	990	94,2	95,4	95,7	0,72	0,80	0,82	426	995	93,4	95,0	95,8	0,62	0,74	0,79	404



**W22Xec - High Efficiency - IE2 <sup>(1)</sup>**

Output		Frame	Full Load Torque (Nm)	Locked Rotor Current I/In	Locked Rotor Torque Tl/Tn	Break-down Torque Tb/Tn	Inertia J (kgm <sup>2</sup> )	Allowable locked rotor time (s)		Weight (kg)	Sound dB(A)	400 V						Full load current In (A)	
								Hot	Cold			% of full load			Power Factor				
												50	75	100	50	75	100		
VIII pole - 750 rpm - 50 Hz																			
0,12	0,16	71	1,74	2,2	1,6	1,9	0,0008	172	378	10,0	41,0	660	40,0	48,0	50,0	0,33	0,41	0,50	0,693
0,18	0,25	80	2,49	3,1	1,9	2,0	0,0024	48	106	13,0	42,0	690	47,0	53,0	55,0	0,44	0,55	0,65	0,727
0,25	0,33	80	3,51	3,2	2,0	1,9	0,0029	42	92	14,3	42,0	680	49,0	55,0	57,0	0,43	0,55	0,66	0,959
0,37	0,5	90S	4,94	3,5	2,1	2,1	0,0055	37	81	18,0	44,0	715	56,0	62,0	62,0	0,41	0,52	0,62	1,39
0,55	0,75	90L	7,67	3,5	1,9	2,0	0,0060	31	68	22,0	44,0	685	61,0	64,0	64,0	0,44	0,56	0,66	1,88
0,75	1	100L	10,1	4,6	2,0	2,4	0,0110	42	92	30,5	50,0	710	71,0	74,0	74,0	0,40	0,52	0,62	2,36
1,1	1,5	100L	14,9	4,6	2,1	2,3	0,0127	29	64	32,0	50,0	705	70,0	73,5	73,5	0,40	0,53	0,62	3,48
1,5	2	112M	20,5	4,7	2,4	2,3	0,0202	29	64	39,0	46,0	700	77,0	79,0	79,0	0,44	0,57	0,67	4,09
2,2	3	132S	30,0	5,5	2,2	2,4	0,0592	25	55	66,0	48,0	700	81,0	81,5	81,0	0,52	0,65	0,72	5,44
3	4	132M	40,4	6,2	2,4	2,9	0,0740	19	42	68,0	48,0	710	82,0	82,5	82,0	0,54	0,65	0,72	7,33
4	5,5	160M	52,7	4,7	2,0	2,2	0,1053	29	64	107	51,0	725	82,5	83,0	83,5	0,52	0,65	0,72	9,60
5,5	7,5	160M	72,5	4,7	2,0	2,2	0,1404	21	46	120	51,0	725	85,0	86,0	85,5	0,52	0,65	0,73	12,7
7,5	10	160L	98,8	4,9	2,2	2,3	0,1756	22	48	139	51,0	725	86,0	87,0	87,0	0,52	0,65	0,73	17,0
9,2	12,5	180M	121	6,0	2,0	2,5	0,2033	11	24	156	52,0	725	88,0	88,0	87,5	0,63	0,75	0,82	18,5
11	15	180L	144	6,5	2,4	2,7	0,2439	11	24	175	52,0	729	88,0	88,5	88,0	0,62	0,72	0,79	22,8
15	20	200L	196	4,4	1,8	2,0	0,4220	27	59	235	56,0	730	88,4	88,9	89,4	0,53	0,65	0,73	33,2
18,5	25	225S/M	241	6,9	1,9	2,5	0,6183	22	48	339	56,0	735	88,9	89,4	89,9	0,62	0,74	0,80	37,1
22	30	225S/M	286	6,7	2,2	2,8	0,7203	17	37	358	56,0	735	89,3	89,8	90,3	0,60	0,72	0,78	45,1
30	40	250S/M	393	7,0	2,1	2,7	1,06	17	37	433	56,0	730	90,1	90,6	91,1	0,68	0,79	0,83	57,3
37	50	280S/M	479	5,0	1,4	1,8	2,26	26	57	614	59,0	738	90,6	91,1	91,6	0,62	0,72	0,77	75,7
45	60	280S/M	582	5,8	1,7	2,3	2,71	20	44	660	59,0	739	91,1	91,3	91,4	0,58	0,68	0,74	96,0
55	75	315S/M	709	5,7	1,7	2,1	4,03	20	44	851	62,0	741	92,0	92,4	92,4	0,62	0,73	0,78	110
75	100	315S/M	967	5,8	1,8	2,0	5,31	30	66	951	62,0	741	91,5	91,9	92,4	0,66	0,76	0,80	146
90	125	315S/M	1162	5,8	1,8	2,1	6,22	26	57	1050	62,0	740	92,2	92,7	93,2	0,66	0,76	0,80	174
110	150	315L	1420	5,8	2,0	2,2	7,84	24	53	1350	68,0	740	92,5	93,0	93,5	0,64	0,73	0,78	218
132	175	315L	1704	6,2	2,0	2,2	9,30	23	51	1352	68,0	740	92,8	93,3	93,8	0,63	0,74	0,79	257
160	220	355M/L	2055	6,4	1,4	2,3	14,4	30	66	1616	70,0	744	93,1	93,6	94,1	0,64	0,75	0,79	311
185	250	355M/L	2373	6,0	1,4	2,1	16,5	46	101	1691	70,0	745	93,4	93,9	94,4	0,64	0,75	0,80	354
200	270	355M/L	2565	6,3	1,6	2,3	18,4	48	106	1765	70,0	745	93,4	93,9	94,4	0,63	0,74	0,80	382
220	300	355M/L	2822	6,6	1,9	2,3	19,9	48	106	1875	70,0	745	93,4	93,9	94,4	0,63	0,74	0,79	426
250	340	355A/B <sup>(2)</sup>	3206	6,2	1,5	2,4	21,7	47	103	2092	70,0	745	93,4	93,9	94,4	0,62	0,73	0,79	484
280	380	355A/B <sup>(2)</sup>	3591	7,5	2,0	2,8	25,0	44	97	2279	70,0	745	93,4	93,9	94,4	0,61	0,73	0,79	542
Optional frames & high output designs																			
110	150	355M/L	1411	6,4	1,5	2,1	10,4	48	106	1379	70,0	745	94,6	95,2	95,2	0,63	0,74	0,79	211
132	175	355M/L	1693	6,5	1,6	2,1	12,6	48	106	1473	70,0	745	92,8	93,3	93,8	0,62	0,74	0,79	257

Notes:

- (1) Efficiency values are given according to IEC 60034-2-1. They are calculated according to indirect method, with stray load losses determined by measurement.
- (2) Fitted with air deflector in the drive end side.

**Ex ec IIC T3 Gc / Ex tc IIIB T125°C Dc**

Output		380 V								415 V							
		Rated speed (rpm)	% of full load						Full load current In (A)	Rated speed (rpm)	% of full load						Full load current In (A)
			Efficiency			Power Factor					Efficiency			Power Factor			
kW	HP	50	75	100	50	75	100	50	75	100	50	75	100	50	75	100	
<b>VIII pole - 750 rpm - 50 Hz</b>																	
0,12	0,16	650	42,9	50,1	50,6	0,35	0,44	0,53	0,680	670	37,1	45,7	48,8	0,31	0,38	0,47	0,728
0,18	0,25	680	49,3	54,4	54,9	0,47	0,59	0,69	0,722	695	45,0	51,8	54,5	0,42	0,53	0,62	0,741
0,25	0,33	670	51,1	56,2	56,8	0,47	0,59	0,70	0,955	685	47,0	53,8	56,8	0,42	0,53	0,63	0,972
0,37	0,5	710	59,5	63,8	62,4	0,44	0,56	0,67	1,34	715	53,1	59,9	60,9	0,39	0,49	0,59	1,43
0,55	0,75	675	63,3	65,1	63,5	0,47	0,61	0,70	1,88	690	58,5	62,8	63,9	0,41	0,53	0,63	1,90
0,75	1	705	73,0	75,0	73,9	0,44	0,57	0,65	2,37	715	69,2	73,0	73,7	0,38	0,49	0,59	2,40
1,1	1,5	700	72,6	73,4	73,4	0,45	0,57	0,66	3,45	705	67,8	73,0	73,0	0,37	0,49	0,59	3,55
1,5	2	695	78,8	79,6	78,5	0,49	0,61	0,70	4,15	705	75,3	78,2	78,9	0,41	0,53	0,63	4,20
2,2	3	695	81,8	81,5	79,9	0,57	0,69	0,75	5,58	705	80,1	81,4	81,4	0,49	0,62	0,70	5,37
3	4	705	82,7	82,4	80,8	0,57	0,68	0,75	7,52	715	81,1	82,4	82,5	0,50	0,62	0,70	7,23
4	5,5	720	82,5	83,0	83,5	0,56	0,68	0,74	9,84	730	82,5	83,0	83,5	0,49	0,62	0,70	9,52
5,5	7,5	720	85,8	86,0	84,9	0,56	0,68	0,75	13,1	725	84,2	85,7	85,7	0,49	0,62	0,71	12,6
7,5	10	720	86,8	87,2	86,6	0,56	0,69	0,76	17,3	725	85,1	86,7	87,1	0,49	0,62	0,71	16,9
9,2	12,5	720	88,5	87,9	86,8	0,67	0,78	0,84	19,2	725	87,4	87,9	87,8	0,59	0,72	0,80	18,2
11	15	725	88,4	88,3	87,2	0,65	0,75	0,80	24,0	730	87,5	88,5	88,4	0,58	0,69	0,76	22,8
15	20	730	88,2	88,7	89,2	0,58	0,70	0,76	33,6	735	88,7	89,2	89,5	0,49	0,62	0,70	33,3
18,5	25	735	88,7	89,2	89,7	0,67	0,77	0,82	38,2	740	89,2	89,7	90,0	0,58	0,71	0,77	37,1
22	30	732	89,0	89,5	90,0	0,65	0,76	0,81	45,9	735	89,6	90,1	90,5	0,55	0,68	0,76	44,5
30	40	730	89,9	90,4	90,9	0,70	0,80	0,84	59,7	735	90,4	90,9	91,2	0,62	0,74	0,80	57,2
37	50	735	90,4	90,9	91,2	0,66	0,75	0,78	79,0	740	90,4	91,4	91,7	0,60	0,72	0,75	74,8
45	60	738	90,9	91,1	91,2	0,63	0,72	0,77	97,4	740	91,1	91,3	91,4	0,54	0,65	0,71	96,5
55	75	740	92,0	92,4	92,4	0,68	0,78	0,80	113	742	92,0	92,4	92,4	0,57	0,69	0,76	109
75	100	739	91,3	91,7	92,1	0,70	0,79	0,81	153	741	91,6	92,1	92,6	0,63	0,74	0,79	143
90	125	740	92,0	92,5	93,0	0,70	0,79	0,81	182	742	92,5	93,0	93,3	0,62	0,73	0,78	172
110	150	740	92,3	92,8	93,3	0,68	0,77	0,80	224	742	92,8	93,3	93,6	0,60	0,71	0,76	215
132	175	740	92,6	93,1	93,6	0,68	0,77	0,81	265	740	93,1	93,6	93,9	0,59	0,71	0,77	254
160	220	743	92,9	93,4	93,9	0,68	0,78	0,81	320	745	93,4	93,9	94,2	0,61	0,73	0,77	307
185	250	745	93,2	93,7	94,2	0,69	0,78	0,82	364	745	93,7	94,2	94,7	0,60	0,72	0,78	348
200	270	745	93,2	93,7	94,2	0,68	0,78	0,83	389	745	93,7	94,2	94,7	0,59	0,71	0,78	377
220	300	745	93,2	93,7	94,2	0,68	0,78	0,81	438	745	93,7	94,2	94,7	0,59	0,71	0,77	420
250	340	745	93,2	93,7	94,2	0,67	0,77	0,81	498	745	93,7	94,2	94,7	0,58	0,70	0,77	477
280	380	745	93,2	93,7	94,2	0,66	0,76	0,81	558	745	93,7	94,2	94,7	0,57	0,70	0,77	534
<b>Optional frames &amp; high output designs</b>																	
110	150	740	94,0	95,2	95,1	0,65	0,76	0,81	217	745	93,0	95,2	95,2	0,59	0,72	0,77	209
132	175	740	92,6	93,1	93,6	0,66	0,75	0,81	265	745	93,1	93,6	93,9	0,60	0,71	0,77	254



### 5.4 W22Xec - Standard Efficiency - IE1 <sup>(1)</sup>

Output		Frame	Full Load Torque (Nm)	Locked Rotor Current I/In	Locked Rotor Torque Tl/Tn	Break-down Torque Tb/Tn	Inertia J (kgm <sup>2</sup> )	Allowable locked rotor time (s)		Weight (kg)	Sound dB(A)	400 V						Full load current In (A)	
								Hot	Cold			% of full load			Power Factor				
												Efficiency			Power Factor				
II pole - 3000 rpm - 50 Hz																			
0,12	0,16	63	0,400	4,0	2,2	2,4	0,0001	27	59	4,3	52,0	2840	45,5	51,0	53,5	0,49	0,61	0,74	0,437
0,18	0,25	63	0,620	5,0	2,4	2,4	0,0002	10	22	4,7	52,0	2790	52,0	57,0	59,0	0,54	0,67	0,77	0,572
0,25	0,33	63	0,870	4,3	2,3	2,3	0,0002	25	55	5,1	52,0	2750	52,0	57,0	60,0	0,50	0,68	0,80	0,752
0,37	0,5	71	1,25	4,9	2,3	2,6	0,0003	16	35	5,5	56,0	2835	62,0	66,5	67,0	0,57	0,71	0,81	0,984
0,55	0,75	71	1,88	5,0	2,3	2,5	0,0004	7	15	6,5	56,0	2800	64,0	70,0	70,0	0,56	0,71	0,82	1,38
0,55	0,75	80	1,85	5,1	2,6	2,6	0,0004	21	46	8,0	59,0	2840	64,5	68,5	69,0	0,60	0,74	0,83	1,39
0,75	1	80	2,54	5,1	2,5	2,6	0,0007	14	31	13,3	59,0	2825	68,5	72,0	72,1	0,62	0,76	0,84	1,79
1,1	1,5	80	3,75	6,3	2,6	2,6	0,0009	7	15	13,5	59,0	2800	74,0	76,5	76,5	0,64	0,77	0,84	2,47
1,5	2	90S	4,99	6,3	2,2	2,6	0,0020	7	15	20,7	64,0	2875	77,5	78,0	78,5	0,60	0,74	0,82	3,36
2,2	3	100L	7,35	7,5	2,2	2,7	0,0053	13	29	27,0	67,0	2860	81,0	81,5	81,5	0,73	0,83	0,88	4,33
3	4	100L	9,88	6,9	2,3	3,0	0,0059	9	20	23,5	67,0	2900	81,5	82,0	82,0	0,69	0,81	0,87	6,07
4	5,5	112M	13,2	7,1	2,4	3,0	0,0081	9	20	39,4	64,0	2890	82,0	84,0	85,0	0,71	0,82	0,87	7,81
5,5	7,5	132S	18,0	6,5	2,1	3,0	0,0180	11	24	42,0	68,0	2920	85,0	86,0	86,0	0,71	0,81	0,87	10,6
7,5	10	132S	24,5	6,9	2,3	2,6	0,0234	11	24	65,5	68,0	2920	85,5	86,5	86,5	0,72	0,82	0,87	14,4
9,2	12,5	160M	30,1	6,6	1,8	2,5	0,0335	13	29	100	67,0	2925	87,5	88,1	88,0	0,73	0,83	0,87	17,3
11	15	160M	35,8	7,5	2,4	3,3	0,0409	11	24	107	67,0	2940	87,8	88,6	88,4	0,69	0,80	0,85	21,1
15	20	160M	48,9	7,2	2,6	3,1	0,0517	9	20	118	67,0	2930	89,5	89,8	89,5	0,71	0,81	0,86	28,1
18,5	25	160L	60,1	7,8	2,6	3,1	0,0626	7	15	134	67,0	2940	90,3	90,7	90,3	0,70	0,80	0,86	34,4
22	30	180M	71,1	8,0	3,0	3,2	0,1084	7	15	167	67,0	2955	90,7	91,0	90,8	0,76	0,84	0,88	39,7
30	40	200L	96,7	7,0	2,7	2,7	0,1526	18	40	220	72,0	2965	91,3	92,0	91,6	0,74	0,83	0,87	54,3
37	50	200L	119	6,8	2,7	2,6	0,1950	13	29	232	72,0	2965	92,0	92,5	92,0	0,76	0,84	0,87	66,7
45	60	225S/M	145	7,4	2,5	3,0	0,2471	10	22	356	75,0	2960	91,8	92,6	92,4	0,76	0,84	0,87	80,8
55	75	250S/M	178	6,7	2,2	2,7	0,3736	12	26	413	75,0	2960	92,2	93,0	92,8	0,79	0,86	0,89	96,1
90	125	280S/M	289	7,0	2,0	2,8	0,9804	20	44	664	77,0	2975	93,0	93,8	93,7	0,80	0,87	0,89	156
110	150	315S/M	353	6,8	1,8	2,8	1,52	26	57	848	77,0	2976	93,3	94,3	94,0	0,78	0,85	0,88	192
200	270	315L	641	8,0	2,3	3,0	2,46	17	37	1135	78,0	2980	94,4	94,7	94,9	0,78	0,85	0,88	346
220	300	315L	706	8,0	2,3	2,8	2,98	14	31	1224	78,0	2979	94,5	94,8	94,7	0,82	0,88	0,90	373
250	340	355M/L	800	8,3	2,7	2,8	4,63	20	44	1592	80,0	2986	94,5	94,8	94,7	0,86	0,88	0,90	423
260	350	315L	835	7,0	2,4	2,5	3,70	20	44	1340	78,0	2975	94,5	94,8	94,8	0,83	0,89	0,91	435
355	480	355M/L <sup>(2)</sup>	1137	9,3	2,7	3,1	6,01	14	31	1830	80,0	2984	94,6	95,0	94,8	0,86	0,90	0,91	594
Optional frames & high output designs																			
0,75	1	90S	2,52	6,3	2,7	2,7	0,0012	15	33	26,0	64,0	2840	74,2	76,2	76,2	0,63	0,76	0,82	1,73
1,1	1,5	90S	3,66	6,3	2,2	2,8	0,0015	7	15	15,0	64,0	2875	74,5	76,5	76,5	0,58	0,72	0,81	2,56
1,5	2	90L	4,99	6,3	2,2	2,6	0,0020	7	15	19,5	64,0	2875	77,5	78,0	78,5	0,60	0,74	0,82	3,36
2,2	3	90S	7,48	6,8	2,8	2,9	0,0021	9	20	16,7	64,0	2810	81,0	81,5	81,5	0,63	0,77	0,85	4,58
3	4	112M	9,90	7,2	2,4	2,8	0,0063	20	44	37,0	64,0	2895	83,0	83,5	83,5	0,75	0,84	0,89	5,83
5,5	7,5	132M	18,0	6,5	2,1	3,0	0,0180	11	24	42,0	68,0	2920	85,0	86,0	86,0	0,71	0,81	0,87	10,6
7,5	10	132M	24,5	6,9	2,3	2,6	0,0234	11	24	65,0	68,0	2920	85,5	86,5	86,5	0,72	0,82	0,87	14,4
15	20	160L	48,9	7,2	2,6	3,1	0,0517	9	20	125	67,0	2930	89,5	89,8	89,5	0,71	0,81	0,86	28,1
22	30	180L	71,1	8,0	3,0	3,2	0,1084	7	15	156	67,0	2955	90,7	91,0	90,8	0,76	0,84	0,88	39,7
55	75	225S/M	178	7,2	2,1	2,7	0,3238	9	20	394	75,0	2960	92,2	93,0	92,8	0,81	0,87	0,89	96,1
200	270	355M/L	640	7,4	1,7	2,7	3,66	28	62	1430	80,0	2985	94,5	94,8	94,7	0,82	0,87	0,89	343
220	300	355M/L	704	7,7	1,8	2,8	4,09	20	44	1496	80,0	2985	94,5	94,8	94,7	0,83	0,88	0,90	373

Notes:

- (1) Efficiency values are given according to IEC 60034-2-1. They are calculated according to indirect method, with stray load losses determined by measurement.
- (2) Fitted with air deflector in the drive end side.

**Ex ec IIC T3 Gc / Ex tc IIIB T125°C Dc**

Output		380 V								415 V							
		Rated speed (rpm)	% of full load						Full load current In (A)	Rated speed (rpm)	% of full load						Full load current In (A)
			Efficiency			Power Factor					Efficiency			Power Factor			
kW	HP	50	75	100	50	75	100		50	75	100	50	75	100			
II pole - 3000 rpm - 50 Hz																	
0,12	0,16	2810	48,0	51,0	53,4	0,52	0,66	0,77	0,443	2850	43,0	51,0	53,5	0,47	0,58	0,70	0,446
0,18	0,25	2760	54,0	58,0	59,5	0,59	0,73	0,82	0,561	2810	49,2	55,0	58,0	0,51	0,62	0,73	0,591
0,25	0,33	2740	54,0	59,0	60,0	0,56	0,73	0,83	0,763	2770	50,0	55,5	59,9	0,47	0,65	0,78	0,744
0,37	0,5	2820	62,0	67,5	66,6	0,64	0,77	0,86	0,981	2840	59,1	64,9	66,6	0,55	0,70	0,80	0,966
0,55	0,75	2780	65,4	70,0	70,0	0,61	0,76	0,84	1,42	2820	62,4	69,5	69,5	0,52	0,67	0,79	1,39
0,55	0,75	2825	66,8	69,0	69,0	0,68	0,80	0,87	1,39	2850	62,2	68,0	69,0	0,55	0,69	0,79	1,40
0,75	1	2800	70,8	72,7	72,1	0,69	0,82	0,88	1,80	2835	66,2	70,6	72,1	0,56	0,70	0,80	1,81
1,1	1,5	2775	75,3	76,8	76,1	0,70	0,82	0,88	2,50	2815	72,2	75,5	76,4	0,57	0,71	0,80	2,50
1,5	2	2855	77,5	78,0	78,0	0,67	0,80	0,86	3,40	2885	78,0	78,5	79,0	0,55	0,70	0,79	3,34
2,2	3	2840	81,0	81,2	81,2	0,77	0,86	0,89	4,52	2870	80,5	81,5	81,9	0,70	0,81	0,86	4,25
3	4	2890	82,4	83,0	83,0	0,75	0,85	0,89	6,17	2910	80,5	82,4	83,5	0,64	0,77	0,84	5,95
4	5,5	2880	83,0	84,2	84,5	0,77	0,86	0,89	8,08	2905	80,8	83,4	84,8	0,66	0,78	0,85	7,72
5,5	7,5	2910	85,4	86,0	86,0	0,77	0,85	0,89	10,9	2930	84,0	85,5	86,0	0,66	0,78	0,84	10,6
7,5	10	2910	86,3	86,5	86,5	0,78	0,86	0,89	14,8	2930	84,5	86,0	86,5	0,66	0,78	0,84	14,4
9,2	12,5	2915	87,9	88,0	87,5	0,77	0,86	0,89	17,9	2930	87,0	88,0	88,2	0,69	0,80	0,85	17,1
11	15	2935	88,4	88,7	88,1	0,76	0,85	0,88	21,6	2945	87,1	88,3	88,4	0,64	0,76	0,83	20,9
15	20	2930	89,9	89,8	89,1	0,76	0,84	0,88	29,1	2935	89,0	89,7	89,6	0,67	0,78	0,84	27,7
18,5	25	2935	90,8	90,8	90,1	0,75	0,84	0,88	35,5	2945	89,7	90,4	90,3	0,65	0,76	0,84	33,9
22	30	2950	90,9	90,8	90,3	0,80	0,86	0,89	41,6	2960	90,4	91,0	91,0	0,73	0,82	0,87	38,7
30	40	2960	91,8	91,9	91,2	0,79	0,85	0,88	56,8	2970	91,0	92,0	91,8	0,71	0,80	0,85	53,5
37	50	2960	92,2	92,4	91,6	0,80	0,87	0,88	69,7	2970	91,7	92,4	92,1	0,72	0,81	0,85	65,8
45	60	2955	91,9	92,5	92,5	0,80	0,86	0,88	84,0	2965	91,6	92,6	92,4	0,73	0,82	0,86	78,8
55	75	2955	92,3	92,9	92,5	0,83	0,88	0,90	100	2965	91,9	93,0	92,8	0,75	0,84	0,87	94,8
90	125	2970	93,1	93,7	93,5	0,83	0,89	0,90	162	2976	92,8	93,7	93,7	0,77	0,85	0,88	152
110	150	2970	93,6	94,4	93,9	0,81	0,87	0,89	200	2978	93,0	94,2	94,0	0,75	0,83	0,87	187
200	270	2978	94,5	94,7	94,9	0,80	0,87	0,89	360	2982	94,2	94,6	94,6	0,75	0,84	0,87	338
220	300	2976	94,6	94,8	94,5	0,84	0,89	0,91	389	2981	94,5	94,8	94,8	0,80	0,87	0,89	363
250	340	2984	94,6	94,8	94,8	0,87	0,89	0,90	445	2987	94,4	94,8	94,8	0,84	0,87	0,90	408
260	350	2970	94,3	94,7	94,7	0,85	0,90	0,92	453	2975	94,7	94,9	94,9	0,82	0,88	0,90	424
355	480	2982	94,6	94,9	94,6	0,88	0,91	0,91	627	2985	94,6	95,0	94,9	0,84	0,89	0,91	572
Optional frames & high output designs																	
0,75	1	2820	75,2	76,8	76,8	0,70	0,81	0,86	1,73	2855	72,3	75,6	76,0	0,57	0,71	0,79	1,74
1,1	1,5	2860	75,5	77,1	77,1	0,65	0,78	0,85	2,55	2880	72,6	75,9	76,3	0,52	0,66	0,77	2,60
1,5	2	2855	77,5	78,0	78,0	0,67	0,80	0,86	3,40	2885	78,0	78,5	79,0	0,55	0,70	0,79	3,34
2,2	3	2790	81,0	81,5	81,5	0,70	0,82	0,88	4,66	2820	80,5	81,3	81,3	0,57	0,72	0,82	4,59
3	4	2890	83,5	83,4	82,8	0,79	0,87	0,90	6,12	2900	82,4	83,4	83,7	0,71	0,81	0,87	5,73
5,5	7,5	2910	85,4	86,0	86,0	0,77	0,85	0,89	10,9	2930	84,0	85,5	86,0	0,66	0,78	0,84	10,6
7,5	10	2910	86,3	86,5	86,5	0,78	0,86	0,89	14,8	2930	84,5	86,0	86,5	0,66	0,78	0,84	14,4
15	20	2930	89,9	89,8	89,1	0,76	0,84	0,88	29,1	2935	89,0	89,7	89,6	0,67	0,78	0,84	27,7
22	30	2950	90,9	90,8	90,3	0,80	0,86	0,89	41,6	2960	90,4	91,0	91,0	0,73	0,82	0,87	38,7
55	75	2955	92,3	92,8	92,4	0,83	0,88	0,90	100	2960	92,1	93,0	93,0	0,79	0,86	0,88	93,5
200	270	2980	94,5	94,8	94,8	0,84	0,88	0,90	356	2985	94,3	94,6	94,7	0,80	0,86	0,89	330
220	300	2985	94,5	95,5	95,9	0,89	0,92	0,93	375	2990	93,9	95,3	96,0	0,86	0,90	0,92	347

**W22Xec - Standard Efficiency - IE1 <sup>(1)</sup>**

Output		Frame	Full Load Torque (Nm)	Locked Rotor Current I/In	Locked Rotor Torque Tl/Tn	Break-down Torque Tb/Tn	Inertia J (kgm <sup>2</sup> )	Allowable locked rotor time (s)		Weight (kg)	Sound dB(A)	400 V						Full load current In (A)	
								Hot	Cold			Efficiency			Power Factor				
												50	75	100	50	75	100		
IV pole - 1500 rpm - 50 Hz																			
0,12	0,16	63	0,850	3,5	1,8	2,0	0,0003	38	84	5,2	44,0	1350	46,0	53,0	55,0	0,51	0,64	0,75	0,420
0,18	0,25	63	1,22	4,4	2,3	2,3	0,0006	16	35	6,2	44,0	1410	51,0	55,0	57,0	0,48	0,60	0,70	0,651
0,25	0,33	71	1,69	3,7	2,2	2,3	0,0006	28	62	5,5	43,0	1410	60,0	65,0	65,0	0,50	0,62	0,70	0,793
0,37	0,5	71	2,58	3,6	2,0	2,2	0,0007	28	62	7,0	43,0	1370	58,0	62,0	66,0	0,50	0,64	0,73	1,11
0,55	0,75	80	3,65	5,3	2,0	2,8	0,0024	8	18	9,5	44,0	1440	65,0	70,0	71,0	0,54	0,68	0,78	1,43
0,75	1	80	4,99	5,1	2,1	2,3	0,0030	7	15	16,5	44,0	1435	67,0	72,0	72,3	0,58	0,70	0,79	1,90
1,1	1,5	90S	7,20	6,7	2,1	2,7	0,0052	7	15	15,0	49,0	1460	72,5	75,5	75,5	0,50	0,63	0,73	2,88
1,5	2	90L	9,86	6,2	2,1	2,9	0,0066	8	18	24,5	49,0	1454	74,5	77,5	77,5	0,50	0,65	0,75	3,72
2,2	3	100L	14,7	5,6	2,4	2,6	0,0090	9	20	23,0	53,0	1430	79,0	80,0	80,0	0,60	0,74	0,82	4,84
3	4	112M	19,8	5,9	1,7	2,4	0,0123	16	35	39,5	56,0	1450	82,5	83,0	83,0	0,61	0,74	0,81	6,44
4	5,5	132S	26,4	6,2	1,5	2,5	0,0283	15	33	57,0	60,0	1450	83,0	84,5	84,5	0,67	0,79	0,85	7,94
5,5	7,5	132S	35,9	7,5	2,0	2,8	0,0453	7	15	61,2	60,0	1465	84,0	85,5	85,5	0,63	0,76	0,84	11,1
7,5	10	132M	48,9	6,4	2,0	2,5	0,0601	8	18	73,9	60,0	1465	85,5	87,0	87,0	0,60	0,75	0,82	15,2
9,2	12,5	160M	60,2	6,0	2,0	2,4	0,0767	9	20	100	61,0	1460	86,8	87,5	87,4	0,64	0,76	0,82	18,5
11	15	160M	72,0	6,0	2,1	2,5	0,0906	9	20	111	61,0	1460	87,0	88,0	88,0	0,64	0,76	0,82	22,0
15	20	160L	97,5	7,1	2,6	3,1	0,1325	8	18	138	61,0	1470	89,0	89,7	89,3	0,66	0,76	0,83	29,2
18,5	25	180M	120	7,5	2,7	3,1	0,1398	12	26	152	61,0	1470	88,0	89,5	90,2	0,65	0,75	0,82	36,1
30	40	200L	194	7,0	2,5	2,7	0,2802	13	29	212	65,0	1475	91,3	91,7	91,5	0,66	0,77	0,83	57,0
37	50	225S/M	240	7,0	2,2	2,7	0,3944	10	22	342	68,0	1475	92,0	92,4	92,2	0,71	0,81	0,85	68,1
55	75	250S/M	355	7,5	2,5	2,8	0,7731	12	26	431	68,0	1480	92,9	93,2	93,1	0,70	0,80	0,85	100
75	100	280S/M	483	6,6	2,0	2,6	1,48	22	48	639	71,0	1485	93,0	93,5	93,5	0,73	0,81	0,85	136
90	125	280S/M	579	6,8	2,1	2,5	1,79	20	44	673	71,0	1485	93,2	93,8	93,8	0,75	0,83	0,85	163
90	125	315S/M	579	6,0	1,8	2,6	2,22	26	57	887	71,0	1485	93,5	94,2	94,0	0,75	0,83	0,86	161
110	150	315S/M	705	6,4	2,0	2,4	2,55	26	57	887	71,0	1490	93,6	94,3	94,1	0,75	0,83	0,86	196
132	175	315S/M	846	6,9	2,4	2,6	3,11	22	48	953	71,0	1490	93,9	94,5	94,3	0,74	0,83	0,86	235
132	180	315S/M	846	6,9	2,4	2,6	3,11	22	48	953	71,0	1490	93,9	94,5	94,3	0,74	0,83	0,86	235
160	220	315S/M	1026	7,3	2,4	2,5	3,54	18	40	1012	71,0	1490	94,1	94,6	94,5	0,73	0,82	0,86	284
200	270	315L	1283	6,9	2,4	2,3	4,41	16	35	1216	74,0	1490	94,4	94,8	94,7	0,76	0,84	0,85	359
220	300	315L	1411	7,7	2,6	2,4	4,85	14	31	1330	74,0	1490	94,5	94,9	94,8	0,74	0,83	0,86	389
250	340	355M/L	1603	6,5	2,1	2,4	7,17	18	40	1470	76,0	1490	94,6	94,9	94,9	0,73	0,82	0,85	447
260	350	355M/L	1667	6,4	2,4	2,4	7,73	14	31	1571	76,0	1490	94,6	95,0	94,9	0,73	0,82	0,85	465
280	380	355M/L	1796	6,6	2,1	2,4	8,05	14	31	1510	76,0	1490	94,6	95,0	94,9	0,74	0,82	0,85	501
300	400	355M/L	1924	7,2	2,2	2,4	8,59	18	40	1560	76,0	1490	94,6	95,0	94,9	0,74	0,82	0,85	537
315	430	355M/L	2020	7,2	2,4	2,4	8,95	14	31	1670	76,0	1490	94,6	95,0	94,9	0,74	0,82	0,86	557
330	450	355M/L	2116	6,8	2,2	2,4	9,84	17	37	1769	76,0	1490	94,6	95,0	94,9	0,75	0,83	0,86	584
355	480	355M/L <sup>(2)</sup>	2277	6,9	2,4	2,3	10,7	15	33	1888	76,0	1490	94,6	95,0	94,9	0,75	0,83	0,86	628
400	550	355M/L <sup>(2)</sup>	2562	7,6	2,6	2,7	11,7	11	24	1971	76,0	1492	94,7	95,1	94,9	0,74	0,82	0,85	716
Optional frames & high output designs																			
0,18	0,25	71	1,23	3,8	1,7	1,9	0,0004	30	66	5,5	43,0	1400	50,0	57,0	58,0	0,50	0,63	0,73	0,614
0,37	0,5	80	2,50	5,0	2,0	2,4	0,0015	23	51	8,5	44,0	1415	63,0	66,0	67,0	0,57	0,71	0,81	0,984
0,55	0,75	71	3,86	4,5	2,5	2,3	0,0009	23	51	9,5	43,0	1360	66,0	69,0	70,0	0,50	0,64	0,74	1,53
0,55	0,75	90L	3,71	5,4	2,1	2,4	0,0030	29	64	15,5	49,0	1415	70,0	73,0	73,0	0,56	0,70	0,78	1,39
0,55	0,75	90S	3,71	5,4	2,1	2,4	0,0030	29	64	15,5	49,0	1415	70,0	73,0	73,0	0,56	0,70	0,78	1,39
0,75	1	90S	4,96	5,4	2,0	2,3	0,0036	20	44	16,5	49,0	1445	70,5	73,5	73,5	0,57	0,70	0,79	1,86
1,1	1,5	80	7,51	5,8	2,7	2,7	0,0032	10	22	14,5	44,0	1400	70,5	75,0	75,5	0,61	0,75	0,83	2,53
1,1	1,5	90L	7,20	6,7	2,1	2,7	0,0052	7	15	15,0	49,0	1460	72,5	75,5	75,5	0,50	0,63	0,73	2,88
1,1	1,5	L80	7,51	5,8	2,7	2,7	0,0032	10	22	14,5	44,0	1400	70,5	75,0	75,5	0,61	0,75	0,83	2,53
1,5	2	100L	10,2	5,4	2,1	2,4	0,0052	21	46	24,0	53,0	1405	79,0	79,5	79,0	0,64	0,76	0,82	3,34
1,5	2	L90L	9,86	6,2	2,1	2,9	0,0066	8	18	17,0	49,0	1454	74,5	77,5	77,5	0,50	0,65	0,75	3,72
2,2	3	112M	14,6	5,9	1,8	2,5	0,0104	27	59	38,0	56,0	1440	81,0	82,0	82,0	0,59	0,72	0,79	4,90
5,5	7,5	132M	35,9	7,5	2,0	2,8	0,0453	7	15	47,0	60,0	1465	84,0	85,5	85,5	0,63	0,76	0,84	11,1
9,2	12,5	132M	60,4	7,5	2,2	2,8	0,0563	6	13	70,0	60,0	1455	86,5	87,7	87,7	0,64	0,78	0,85	17,8
11	15	160L	72,0	6,0	2,1	2,5	0,0906	9	20	110	61,0	1460	87,0	88,0	88,0	0,64	0,76	0,82	22,0
18,5	25	180L	120	7,5	2,7	3,1	0,1398	12	26	152	61,0	1470	88,0	89,5	90,2	0,65	0,75	0,82	36,1
110	150	280S/M	708	7,3	2,3	2,6	2,09	16	35	735	71,0	1484	93,5	94,2	94,1	0,71	0,80	0,84	201
220	300	355M/L	1411	6,4	2,0	2,2	6,48	18	40	1414	76,0	1490	94,6	94,9	94,8	0,73	0,81	0,85	394

Notes:

- (1) Efficiency values are given according to IEC 60034-2-1. They are calculated according to indirect method, with stray load losses determined by measurement.
- (2) Fitted with air deflector in the drive end side.

**Ex ec IIC T3 Gc / Ex tc IIIB T125°C Dc**

Output		380 V								415 V							
		Rated speed (rpm)	% of full load						Full load current In (A)	Rated speed (rpm)	% of full load						Full load current In (A)
			Efficiency			Power Factor					Efficiency			Power Factor			
kW	HP	50	75	100	50	75	100	50	75	100	50	75	100	50	75	100	
IV pole - 1500 rpm - 50 Hz																	
0,12	0,16	1330	49,6	55,0	55,1	0,56	0,69	0,79	0,419	1360	42,7	50,9	54,0	0,48	0,60	0,71	0,435
0,18	0,25	1400	51,0	55,0	57,0	0,52	0,64	0,74	0,648	1415	46,0	53,0	57,0	0,48	0,57	0,67	0,656
0,25	0,33	1395	62,0	65,0	65,0	0,55	0,65	0,74	0,790	1415	60,0	64,0	64,0	0,47	0,58	0,68	0,799
0,37	0,5	1350	61,5	63,5	66,0	0,55	0,70	0,78	1,09	1385	54,3	59,8	66,0	0,46	0,59	0,69	1,13
0,55	0,75	1430	68,0	71,3	70,9	0,60	0,73	0,82	1,44	1445	62,0	68,4	70,4	0,51	0,65	0,75	1,45
0,75	1	1425	70,2	72,0	72,1	0,63	0,74	0,82	1,93	1440	65,0	71,0	72,4	0,54	0,65	0,76	1,90
1,1	1,5	1455	73,0	75,5	75,5	0,55	0,69	0,78	2,84	1465	70,5	74,5	75,5	0,46	0,59	0,69	2,94
1,5	2	1448	74,5	77,5	77,5	0,57	0,71	0,80	3,68	1457	72,5	77,5	77,5	0,46	0,60	0,71	3,79
2,2	3	1420	79,0	80,5	79,7	0,67	0,79	0,85	4,93	1440	77,5	79,5	80,0	0,55	0,68	0,78	4,90
3	4	1445	83,8	83,3	82,5	0,67	0,78	0,84	6,58	1455	81,1	82,5	83,1	0,56	0,70	0,78	6,44
4	5,5	1445	84,1	84,7	83,9	0,73	0,83	0,87	8,23	1455	81,9	84,1	84,5	0,62	0,75	0,82	7,93
5,5	7,5	1460	85,0	85,5	85,5	0,69	0,81	0,86	11,4	1470	83,2	85,0	85,5	0,58	0,72	0,81	11,0
7,5	10	1460	86,5	86,8	86,8	0,66	0,78	0,85	15,4	1470	83,7	86,2	86,7	0,56	0,70	0,78	15,4
9,2	12,5	1455	87,5	87,6	87,0	0,69	0,79	0,84	19,1	1465	86,1	87,2	87,5	0,60	0,73	0,80	18,3
11	15	1455	87,8	88,2	87,6	0,69	0,80	0,84	22,7	1465	86,1	87,6	88,0	0,59	0,72	0,79	22,0
15	20	1465	89,5	89,7	88,9	0,71	0,79	0,85	30,2	1470	88,4	89,5	89,4	0,62	0,73	0,81	28,8
18,5	25	1465	88,0	89,5	90,0	0,70	0,80	0,84	37,2	1470	87,0	89,0	90,2	0,59	0,71	0,78	36,6
30	40	1470	91,7	91,7	91,2	0,71	0,81	0,85	58,8	1475	90,8	91,5	91,6	0,61	0,74	0,80	57,0
37	50	1470	92,3	92,4	91,9	0,76	0,84	0,86	71,1	1477	91,6	92,3	92,2	0,68	0,78	0,83	67,3
55	75	1470	93,1	93,1	92,7	0,74	0,83	0,86	105	1480	92,6	93,1	93,1	0,65	0,77	0,84	97,8
75	100	1480	93,3	93,5	93,3	0,77	0,83	0,86	142	1485	92,7	93,4	93,5	0,70	0,79	0,84	133
90	125	1480	93,6	93,9	93,6	0,79	0,85	0,87	168	1486	92,8	93,6	93,8	0,72	0,81	0,84	159
90	125	1485	93,7	94,2	93,9	0,78	0,85	0,87	167	1485	93,2	94,1	94,0	0,72	0,81	0,85	157
110	150	1490	93,8	94,3	93,9	0,79	0,85	0,87	205	1490	93,3	94,2	94,1	0,72	0,81	0,85	191
132	175	1488	94,2	94,5	94,2	0,78	0,85	0,87	245	1491	93,6	94,4	94,3	0,71	0,81	0,85	229
132	180	1488	94,2	94,5	94,2	0,78	0,85	0,87	245	1491	93,6	94,4	94,3	0,71	0,81	0,85	229
160	220	1488	94,4	94,7	94,4	0,77	0,84	0,87	296	1490	93,8	94,5	94,5	0,70	0,80	0,85	277
200	270	1490	94,6	94,8	94,5	0,79	0,86	0,88	365	1490	94,2	94,8	94,8	0,73	0,82	0,86	342
220	300	1490	94,7	94,9	94,7	0,78	0,85	0,87	406	1490	94,3	94,8	94,8	0,71	0,81	0,85	380
250	340	1490	94,7	94,8	94,8	0,77	0,84	0,86	466	1490	94,4	94,9	94,9	0,70	0,80	0,84	436
260	350	1490	94,7	94,8	94,8	0,77	0,84	0,86	485	1490	94,4	94,9	94,9	0,70	0,80	0,84	454
280	380	1490	94,7	94,8	94,8	0,77	0,84	0,86	522	1490	94,4	94,9	95,0	0,71	0,80	0,84	488
300	400	1490	94,7	94,8	94,8	0,78	0,84	0,88	546	1490	94,4	94,9	94,9	0,71	0,80	0,84	524
315	430	1490	94,8	94,9	94,9	0,77	0,84	0,87	580	1490	94,4	94,9	94,9	0,71	0,80	0,85	543
330	450	1485	94,6	94,9	94,9	0,74	0,79	0,85	622	1490	94,4	94,9	95,0	0,72	0,81	0,85	569
355	480	1490	94,7	94,8	94,8	0,78	0,85	0,87	654	1490	94,5	95,0	95,0	0,72	0,81	0,85	612
400	550	1491	94,8	94,8	94,8	0,77	0,84	0,87	737	1493	94,5	95,0	95,0	0,71	0,80	0,84	697
Optional frames & high output designs																	
0,18	0,25	1390	52,9	58,6	57,6	0,54	0,68	0,76	0,625	1415	47,2	55,3	57,5	0,48	0,60	0,70	0,622
0,37	0,5	1405	65,4	67,0	66,7	0,62	0,76	0,84	1,00	1425	60,6	64,7	66,6	0,53	0,67	0,77	1,00
0,55	0,75	1335	68,7	70,0	70,0	0,55	0,69	0,78	1,53	1375	62,9	67,6	70,0	0,45	0,59	0,70	1,56
0,55	0,75	1405	71,6	73,4	72,3	0,61	0,74	0,81	1,43	1420	68,6	72,3	73,1	0,52	0,66	0,75	1,40
0,55	0,75	1405	71,6	73,4	72,3	0,61	0,74	0,81	1,43	1420	68,6	72,3	73,1	0,52	0,66	0,75	1,40
0,75	1	1435	72,0	73,9	72,8	0,62	0,75	0,82	1,91	1445	68,9	72,8	73,7	0,52	0,66	0,76	1,86
1,1	1,5	1385	73,3	75,0	75,7	0,71	0,80	0,87	2,54	1410	67,3	73,1	75,1	0,56	0,70	0,81	2,52
1,1	1,5	1455	73,0	75,5	75,5	0,55	0,69	0,78	2,84	1465	70,5	74,5	75,5	0,46	0,59	0,69	2,94
1,1	1,5	1385	73,3	75,0	75,7	0,71	0,80	0,87	2,54	1410	67,3	73,1	75,1	0,56	0,70	0,81	2,52
1,5	2	1390	79,6	79,1	77,7	0,69	0,79	0,84	3,49	1415	78,1	79,4	79,6	0,60	0,73	0,80	3,28
1,5	2	1448	74,5	77,5	77,5	0,57	0,71	0,80	3,68	1457	72,5	77,5	77,5	0,46	0,60	0,71	3,79
2,2	3	1435	82,2	82,3	81,5	0,65	0,76	0,82	5,00	1445	79,9	81,5	82,0	0,55	0,68	0,76	4,91
5,5	7,5	1460	85,0	85,5	85,5	0,69	0,81	0,86	11,4	1470	83,2	85,0	85,5	0,58	0,72	0,81	11,0
9,2	12,5	1450	87,3	87,8	87,4	0,70	0,82	0,87	18,4	1455	85,3	87,1	87,5	0,59	0,73	0,82	17,8
11	15	1455	87,8	88,2	87,6	0,69	0,80	0,84	22,7	1465	86,1	87,6	88,0	0,59	0,72	0,79	22,0
18,5	25	1465	88,0	89,5	90,0	0,70	0,80	0,84	37,2	1470	87,0	89,0	90,2	0,59	0,71	0,78	36,6
110	150	1480	93,7	94,0	93,9	0,75	0,82	0,85	209	1485	93,3	94,1	94,1	0,68	0,78	0,82	198
220	300	1490	94,7	94,7	94,7	0,77	0,83	0,86	410	1490	94,4	94,8	94,8	0,70	0,79	0,84	384

W22Xec - Standard Efficiency - IE1 <sup>(1)</sup>

Output		Frame	Full Load Torque (Nm)	Locked Rotor Current I/In	Locked Rotor Torque Tl/Tn	Break-down Torque Tb/Tn	Inertia J (kgm <sup>2</sup> )	Allowable locked rotor time (s)		Weight (kg)	Sound dB(A)	400 V							
								Hot	Cold			Efficiency			Power Factor			Full load current In (A)	
												50	75	100	50	75	100		
VI pole - 1000 rpm - 50 Hz																			
0,12	0,16	63	1,30	2,6	1,7	1,6	0,0007	46	101	6,7	43,0	880	43,0	47,0	48,0	0,44	0,55	0,67	0,539
0,18	0,25	71	1,91	3,1	2,2	2,2	0,0009	30	66	9,0	43,0	900	46,0	53,0	55,0	0,38	0,49	0,58	0,814
0,25	0,33	71	2,65	3,1	2,4	2,2	0,0008	30	66	11,5	43,0	900	48,0	55,0	57,0	0,38	0,48	0,58	1,09
0,37	0,5	80	3,80	3,6	1,7	1,9	0,0019	16	35	12,1	43,0	930	55,0	60,0	63,0	0,50	0,64	0,75	1,13
0,55	0,75	80	5,65	4,5	2,3	2,3	0,0030	10	22	15,5	43,0	930	60,0	65,0	67,0	0,50	0,63	0,73	1,62
0,75	1	90S	7,58	5,0	2,0	2,1	0,0044	17	37	18,0	45,0	945	68,0	70,0	70,0	0,51	0,65	0,75	2,06
1,5	2	100L	15,2	4,4	1,9	2,2	0,0093	14	31	27,0	44,0	945	76,0	77,0	76,0	0,52	0,66	0,73	3,90
3	4	132S	29,6	5,8	2,0	2,3	0,0340	20	44	56,4	53,0	970	80,0	81,0	81,0	0,51	0,64	0,73	7,32
4	5,5	132M	39,6	5,8	2,1	2,2	0,0435	19	42	66,0	53,0	965	81,0	82,5	82,5	0,54	0,66	0,74	9,46
5,5	7,5	132M	54,5	6,2	2,3	2,6	0,0606	19	42	72,0	53,0	965	82,5	84,5	84,5	0,51	0,64	0,72	13,0
7,5	10	160M	74,3	5,4	1,9	2,3	0,0966	12	26	103	57,0	965	85,3	85,5	85,3	0,64	0,76	0,83	15,3
9,2	12,5	160L	91,1	5,7	2,0	2,4	0,1229	10	22	113	57,0	965	86,0	86,5	86,0	0,66	0,76	0,83	18,6
11	15	160L	108	6,5	2,6	2,9	0,1489	10	22	127	57,0	975	87,0	87,5	88,0	0,55	0,68	0,78	23,1
15	20	180L	147	7,5	2,5	2,9	0,2299	6	13	166	56,0	975	88,0	88,5	88,2	0,71	0,81	0,86	28,5
18,5	25	200L	181	5,7	2,1	2,4	0,2989	12	26	190	60,0	975	88,3	89,3	88,9	0,64	0,76	0,82	36,6
22	30	200L	216	6,0	2,2	2,4	0,3692	13	29	218	60,0	975	89,5	90,0	89,7	0,67	0,77	0,83	42,7
30	40	225S/M	291	7,2	2,6	2,7	0,7192	12	26	359	63,0	985	91,0	91,5	91,2	0,73	0,82	0,86	55,2
75	100	315S/M	724	6,4	1,9	2,2	3,81	22	48	837	67,0	990	93,0	93,2	93,0	0,68	0,78	0,83	140
90	125	315S/M	870	5,7	1,9	2,2	4,36	18	40	883	67,0	989	93,4	93,6	93,4	0,70	0,79	0,83	168
132	175	315S/M	1274	6,2	2,1	2,2	6,00	18	40	1012	67,0	990	94,0	94,2	94,1	0,73	0,82	0,85	238
160	220	315L	1544	7,2	2,4	2,7	7,22	14	31	1203	68,0	990	94,1	94,4	94,4	0,69	0,79	0,82	298
160	220	355M/L	1541	5,6	1,8	2,0	7,86	32	70	1416	73,0	992	94,0	94,5	94,5	0,64	0,74	0,79	309
185	250	355M/L	1786	6,0	2,0	2,2	8,57	30	66	1530	73,0	990	94,3	94,6	94,6	0,63	0,74	0,79	357
200	270	355M/L	1930	6,0	2,0	2,1	10,2	32	70	1600	73,0	990	94,4	94,7	94,7	0,64	0,75	0,80	381
220	300	355M/L	2123	6,4	2,1	2,2	11,1	30	66	1678	73,0	990	94,4	94,8	94,7	0,64	0,74	0,80	419
300	400	355M/L	2887	6,2	2,2	2,2	14,3	30	66	1900	73,0	993	94,4	94,8	94,6	0,63	0,74	0,79	579
315	430	355M/L <sup>(2)</sup>	3025	6,2	2,2	2,2	15,0	28	62	1979	73,0	995	94,5	94,7	94,8	0,66	0,76	0,81	592
Optional frames & high output designs																			
0,25	0,33	80	2,51	4,1	2,1	2,7	0,0015	26	57	8,5	43,0	950	51,0	58,0	60,0	0,43	0,53	0,62	0,970
0,75	1	90L	7,58	5,0	2,0	2,1	0,0044	17	37	18,0	45,0	945	68,0	70,0	70,0	0,51	0,65	0,75	2,06
1,5	2	112M	15,2	5,2	2,0	2,4	0,0147	21	46	36,0	49,0	945	75,5	77,5	77,0	0,53	0,66	0,75	3,75
3	4	132M	29,6	5,8	2,0	2,3	0,0340	20	44	55,0	53,0	970	80,0	81,0	81,0	0,51	0,64	0,73	7,32
7,5	10	160L	74,3	5,4	1,9	2,3	0,0966	12	26	103	57,0	965	85,3	85,5	85,3	0,64	0,76	0,83	15,3
9,2	12,5	160M	91,1	5,7	2,0	2,4	0,1229	10	22	113	57,0	965	86,0	86,5	86,0	0,66	0,76	0,83	18,6
VIII pole - 750 rpm - 50 Hz																			
0,12	0,16	71	1,74	2,2	2,1	2,0	0,0008	84	185	10,7	41,0	660	37,8	38,5	39,0	0,37	0,45	0,53	0,838
0,18	0,25	80	2,47	2,8	2,2	2,4	0,0020	29	64	12,6	42,0	695	36,2	44,1	45,5	0,45	0,53	0,62	0,921
0,25	0,33	80	3,49	3,8	2,1	2,2	0,0027	27	59	13,0	42,0	685	46,0	50,0	50,5	0,45	0,56	0,66	1,08
0,37	0,5	90S	5,16	3,0	1,9	1,8	0,0038	32	70	15,4	44,0	685	50,6	55,0	55,8	0,44	0,55	0,64	1,50
0,55	0,75	90L	7,62	3,3	1,9	1,9	0,0058	25	55	16,5	44,0	690	58,0	60,0	60,0	0,43	0,56	0,66	2,00
0,75	1	100L	9,95	4,0	1,8	2,0	0,0077	20	44	23,8	50,0	720	59,5	64,0	64,5	0,42	0,53	0,62	2,71
1,1	1,5	100L	15,0	4,0	1,7	2,3	0,0116	27	59	28,5	50,0	700	65,0	65,5	70,0	0,45	0,57	0,66	3,44
1,5	2	112M	20,5	4,2	2,2	2,2	0,0174	26	57	33,4	46,0	700	73,7	75,4	73,5	0,48	0,61	0,70	4,21
2,2	3	132S	29,6	6,1	2,5	2,8	0,0592	22	48	55,3	48,0	710	75,8	78,0	77,1	0,55	0,68	0,77	5,35
3	4	132M	40,4	6,5	2,4	2,9	0,0715	18	40	65,0	48,0	710	78,5	80,1	79,0	0,55	0,67	0,74	7,41
4	5,5	160M	53,1	4,7	2,0	2,1	0,0878	17	37	101	51,0	720	79,5	82,0	81,5	0,52	0,65	0,72	9,84
5,5	7,5	160M	73,0	4,7	2,0	2,1	0,1141	16	35	110	51,0	720	82,0	83,2	83,0	0,52	0,65	0,73	13,1
7,5	10	160L	99,5	4,9	2,2	2,2	0,1492	16	35	130	51,0	720	84,0	85,5	85,0	0,52	0,65	0,73	17,4
9,2	12,5	180M	121	6,3	2,0	2,4	0,2037	10	22	156	52,0	725	86,0	86,5	86,0	0,64	0,76	0,82	18,8
11	15	180L	144	6,5	2,3	2,6	0,2444	10	22	175	52,0	729	85,0	85,8	86,0	0,62	0,72	0,79	23,4
55	75	315S/M	709	5,8	1,8	2,0	3,66	30	66	745	62,0	741	89,8	90,3	90,8	0,62	0,72	0,77	114
110	150	355M/L	1411	5,6	1,1	2,0	9,48	50	110	1343	70,0	745	94,0	94,5	94,6	0,62	0,73	0,79	212
132	175	355M/L	1693	6,0	1,2	2,1	11,3	48	106	1448	70,0	745	91,4	91,9	92,4	0,62	0,74	0,79	261
150	200	355M/L	1924	7,0	1,5	2,0	13,8	35	77	1571	70,0	745	91,8	92,0	92,5	0,64	0,75	0,80	293
160	220	315L	2066	6,4	2,2	2,2	10,0	20	44	1350	68,0	740	91,6	92,3	92,6	0,63	0,74	0,79	316
Optional frames & high output designs																			
2,2	3	132M	29,6	6,1	2,5	2,8	0,0592	22	48	55,3	48,0	710	75,8	78,0	77,1	0,55	0,68	0,77	5,35
5,5	7,5	160L	73,0	4,7	2,0	2,1	0,1141	16	35	110	51,0	720	82,0	83,2	83,0	0,52	0,65	0,73	13,1
132	180	355M/L	1693	6,0	1,2	2,1	11,3	48	106	1448	70,0	745	91,4	91,9	92,4	0,62	0,74	0,79	261
160	220	355M/L	2055	6,4	1,4	2,3	13,8	30	66	1571	70,0	744	91,8	92,3	92,8	0,64	0,75	0,79	315

## Notes:

(1) Efficiency values are given according to IEC 60034-2-1. They are calculated according to indirect method, with stray load losses determined by measurement.

(2) Fitted with air deflector in the drive end side.





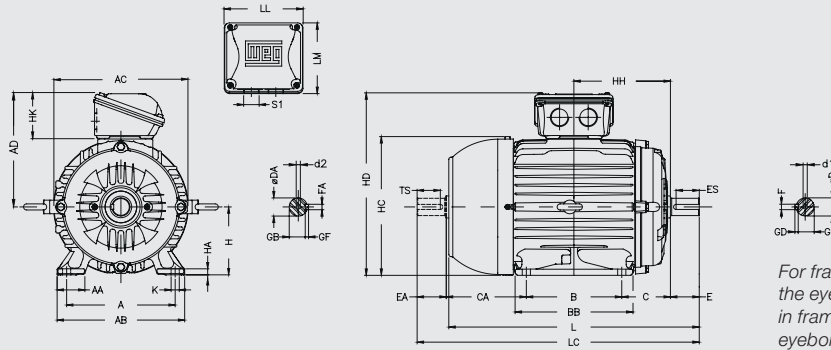




## 6. Mechanical Data

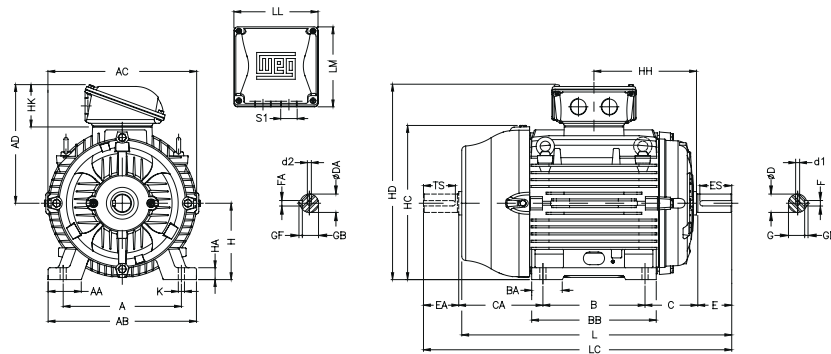
### Foot Mounted Motors, Terminal Box Top

#### Frames 63 to L132M/L

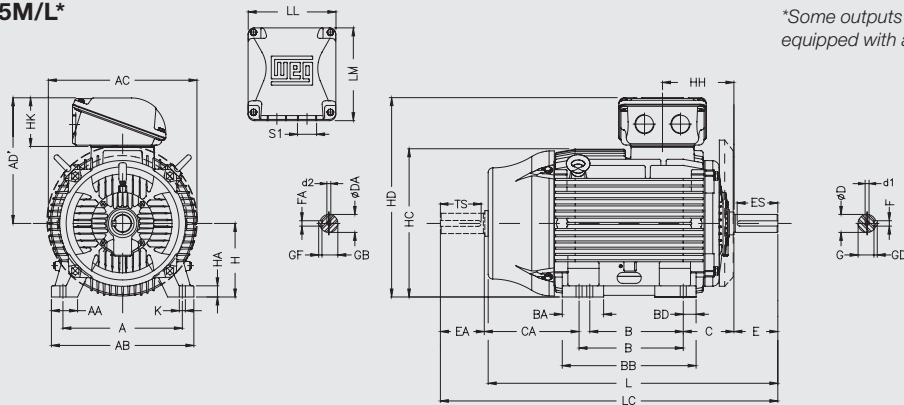


*For frames 132S, 132M/L and 132M, the eyebolt will be fitted at 50°. Motors in frame sizes 63 up to 90 do not have eyebolts.*

#### Frames 160M to 200L

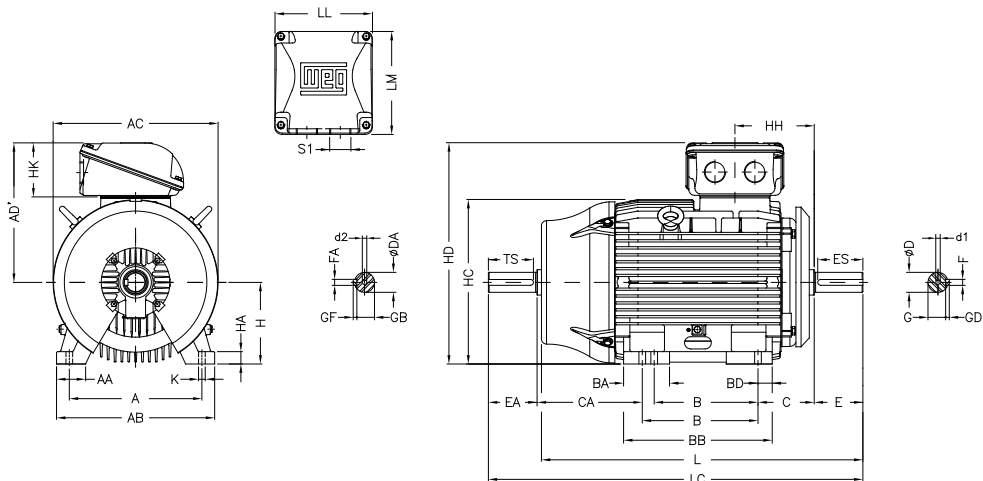


#### Frames 225 to 355M/L\*



*\*Some outputs in frame sizes 355M/L are equipped with an air deflector at the DE.*

#### Frame 355A/B



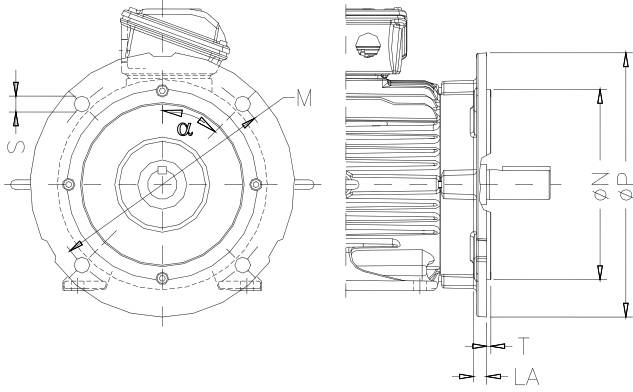
Frame	A	AA	AB	AC	AD	AD'	B	BA	BB	BD	C	CA	DE Shaft end				NDE Shaft end										
													D	E	ES	F	G	GD	DA	EA	FA	TS	GB	GF			
63	100	25,5	116	125	123	-	80	-	95	-	40	78	11j6	23	14	4	8,5	4	9j6	20	3	12	7,2	3			
71	112	28,5	132	141	131	-	90	-	113,5	-	45	88	14j6	30	18	5	11	5	11j6	23	4	14	8,5	4			
80	125	30,5	149	159	140	-	100	-	125,5	-	50	93	19j6	40	28	6	15,5	6	14j6	30	-	18	11	5			
L80																											
90S																											
L90S	140	37	164	179	149	-	125	-	156	-	56	104	24j6	50	36	-	20	-	16j6	40	-	5	28	13	5		
90L																											
L90L																											
100L																											
L100L	160	40	188	206	159	-	140	-	173	-	63	118	28j6	60	45	-	24	-	22j6	50	6	36	18,5	6			
L112M																											
L12M	216	45,5	248	272	220	-	178	-	225	-	89	150	38k6	80	63	10	33	-	28j6	60	8	45	24	7	-		
L132S																											
L132M																											
L132M/L																											
L132M/L																											
160M	254	44	292	329	266	-	210	63	254	-	108	174	42k6	-	-	-	12	37	-	42k6	-	12	-	37	8		
L160L																											
180M	279	57	329	360	281	-	241	-	294	-	121	200	48k6	110	80	-	14	42,5	9	48k6	110	14	80	42,5	9		
L180M																											
L180L																											
L180L																											
200L	318	82	385	402	319	-	305	82	370	-	133	222	55m6	-	-	-	16	49	10	55m6	-	16	100	49	10		
L225S/M1																											
L225S/M	356	80	436	455	-	384	286/311	124	412	41	149	319/294	55m6	-	-	-	100	-	-	55m6	-	16	100	49	10		
250S/M1																											
L250S/M	406	100	506	486	-	402	311/349	146	467	59	168	354/316	60m6	140	125	-	18	53	11	60m6	140	18	125	53	11		
280S/M1																											
L280S/M																											
315S/M1	508	120	630	657	-	530	406/457	184	626	70	216	494/443	65m6	170	160	22	71	14	65m6	170	160	22	71	14	65m6	170	160
L315L1																											
L315L																											
355M/L1																											
L355M/L																											
L355A/B1																											
L355A/B																											

Frame	H	HA	HC	HD	HH	HK	L	LC	LL	LM	S1	K	D1	D2	Bearing		
															DE	NDE	
															63	63	7
71	71	145	202	90	250	276	DM5	EM4	6202 ZZ	6202 ZZ							
80	80	8	163	220	100	301	340	10	DM6	DM5	6204 ZZ	6203 ZZ					
L80																	
90S																	
L90S	90	9	182	239	106	329	375	2xM25x1,5	DM8	DM6	6205 ZZ	6204 ZZ					
L90L																	
100L																	
L100L																	
112M																	
L12M	112	10	235	304	140	394	448	12	DM10	DM8	6206 ZZ	6206 ZZ					
L132S																	
L132S																	
L132M																	
L132M/L																	
L132M/L																	
160M																	
L160L																	
L160L	160	17	331	426	213	598	712	2xM32x1,5	140	133	2xM32x1,5	12	DM12	DM10	6308 ZZ	6207 ZZ	
L180M																	
L180M																	
L180L																	
L180L																	
200L																	
225S/M1																	
L225S/M																	
L250S/M1	250	42	493	648	214	153	965	1113	269	285	2xM50x1,5	18,5	DM20	DM20	6314 C3	6314 C3	
L250S/M																	
L280S/M1																	
L280S/M																	
315S/M1																	
L315S/M																	
L315L1																	
L315L	315	48	644	845	264	176	1244	1392	379	382	2xM63x1,5	24	DM20	DM20	6316 C3	6316 C3	
355M/L1																	
L355M/L																	
L355A/B1																	
L355A/B																	
100L																	200
L225S/M																	
L250S/M																	
L280S/M																	
L315S/M																	
L315L1																	
L315L																	
355M/L1																	
L355M/L																	
L355A/B1																	
L355A/B																	

Notes:  
 (\*) Dimension applicable to 2 pole motors.  
 (\*\*) All dimensions are in mm.

## 7. Flange Mounted Motors

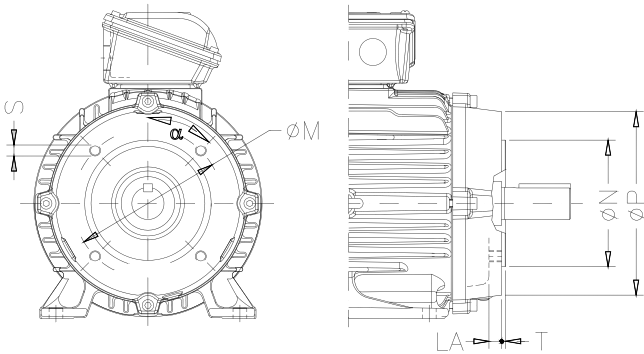
### “FF” Flange



Frame	Flange	LA	M	N	P	S	T		N° of holes		
63	FF-115	5,5	115	95	140	10	3	45°	4		
71	FF-130	9	130	110	160						
80	FF-165		165	130	200	12	3,5				
90		10									
100	FF-215	12,5	215	180	250	15	4				
112											
132	FF-265	12	265	230	300	19	5				
160	FF-300	18	300	250	350						
180		16									
200	FF-350	18	350	300	400						
225	FF-400	18	400	350	450						
250	FF-500	20	500	450	550						
280		18									
315S/M	FF-600	22	600	550	660/780*			24	6	22°30'	8
315L		16									
355	FF-740	22	740	680	800/880*						

\*Only for motors fitted with air deflector in drive end side.  
\*\* Dimensions are in mm.

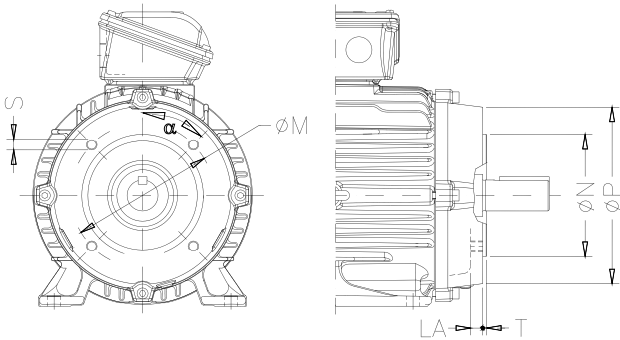
### “C-DIN” Flange



Frame	Flange	LA	M	N	P	S	T		N° of holes
63	C-90	9,5	75	60	90	M5	2,5	45°	4
71	C-105	8	85	70	105	M6			
80	C-120	10,5	100	80	120		M8		
90			C-140	115	95	140			
100	C-160	12	130	110	160	M10	3,5		
112		13,5							
132	C-200	15,5	165	130	200				

\* Dimensions are in mm.

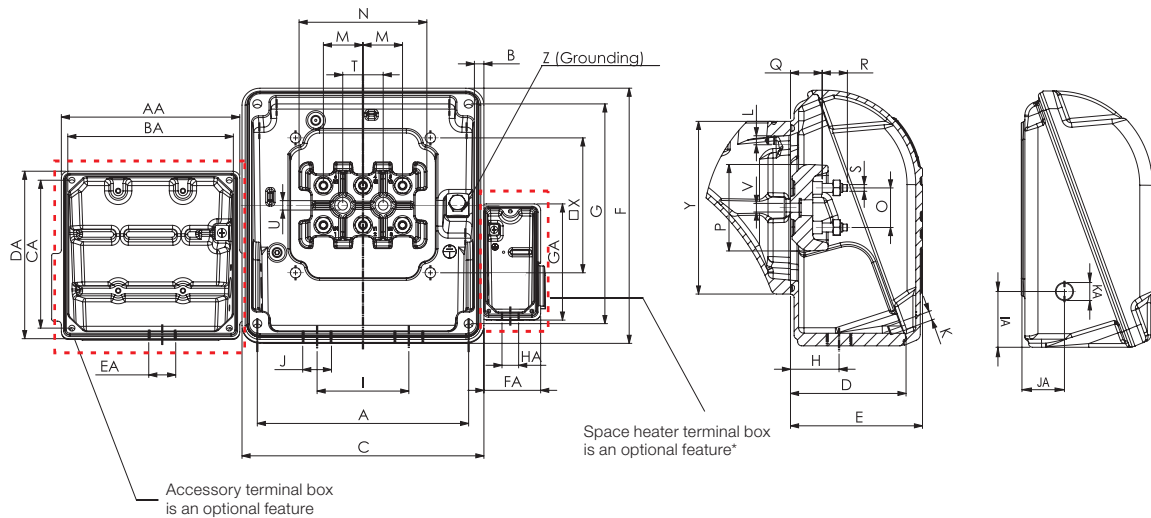
### “NEMA C” Flange



Frame	Flange	LA	M	N	P	S	T		N° of holes
63	FC-95	4,5	95,2	76,2	143	UNC 1/4"x20	4	45°	4
71		10							
80		15							
90	FC-149	12	149,2	114,3	165	UNC 3/8"x16			
100		13,5							
112	FC-184	15,5	184,2	215,9	225	UNC 1/2"x13			
132		26							
160	FC-228	20	228,6	266,7	280	UNC 5/8"x11	6,3		
180									
200	FC-279	25	279,4	317,5	395	UNC 5/8"x11	6,3		
225									
250	FC-355	25	355,6	406,4	455	UNC 5/8"x11	6,3	22°30'	8
280									
315S/M	FC-368	18,5	368,3	419,1	455	UNC 5/8"x11	6,3		
315L									
355M/L	40								

\*Dimensions are in mm.

## 8. Terminal Box Drawings



Frame	A	B	C	D	E	F	G	H	I	J	K	L	M	N	O	P	Q	R	S	T	U							
63	90	3,5	108	51,5	59	98	85	27	42	1xM20x1,5	M5x0,8	M5x0,8	16	75	16	35	13,5	12	M4x0,7	20	5,8							
71										1xM25x1,5																		
80										2xM25x1,5																		
90																												
100																												
112	117	2,5	140	71	80	133	117	36,5	54	2xM32x1,5	M6x1,0	M6x1,0	23		23	52	17	16	M5x0,8	23	6,5							
132																												
160	175	4	198,5	90	101	190	175	46	84	2xM40x1,5	M8x1,25	M8x1,25	28	90	28	60	21,5	20,5	M6x1	28	6,6							
180																												
200	204	4,5	230	107	119,5	220	204	59	94	2xM50x1,5			35	112	35	74	24	24	M8x1,25	35	9,5							
225S/M	235	12,5	269	133	153	285	260	71	110	2xM63x1,5	M10x1,5	M10x1,5	44	140	44	94	28	28	M10x1,5	45	10,5							
250S/M					152	312	275	126																				
280S/M					176	382	345	160																				
315S/M	340	14,5	379	162	176	382	345	78	160	2xM63x1,5 (with removable base)	M12x1,75	M12x1,75	45	153	45	108	34	40	M12x1,75	65								
315L	404		202	220	436	390	97	200	M14x2,0												65	210	65	146	48	48	M16x2,0	65
355M/L																												
355A/B																												

Frame	V	X	Y	Z	AA	BA	CA	DA	EA	FA	GA	HA	IA	JA	KA	Max number of connectors																		
																Main	Accessories	Space heater																
63	M5x0,8	56	77	0,5-6 mm <sup>2</sup>	109	90	85	98					23	17,5		4	16	4																
71			78																															
80			81																															
90			77																															
100			81																															
112			107																															
132	103	2-10 mm <sup>2</sup>																																
160	M6x1,0	110	140	5,2-25 mm <sup>2</sup>	139	117	117	133				M20x1,5	68	M20x1,5	M20x1,5	12	26	4																
180			155	5,2-35 mm <sup>2</sup>																														
200	M8x1,25	120	155	5,2-35 mm <sup>2</sup>																														
225S/M	M10x1,5	150	192	25-50 mm <sup>2</sup>									62	48		16	26	4																
250S/M			197																															
280S/M			204																															
315S/M			200	260															35-70 mm <sup>2</sup>															
315L			260	300															85-120 mm <sup>2</sup>															
355M/L																																		
355A/B													57	95																				

**Notes:**

(\*) Space heater terminal box is a optional feature for frame sizes 63 to 112.

(\*\*) Dimensions are in mm.

For WEG's worldwide  
operations visit our website



[www.weg.net](http://www.weg.net)



 +55 47 3276.4000

 [motores@weg.net](mailto:motores@weg.net)

 Jaraguá do Sul - SC - Brazil

Cod: 50069624 | Rev: 02 | Date (m/a): 09/2021

The values shown are subject to change without prior notice.

The information contained is reference values.